

OIL REMOVAL FILTER - VAYU™ STANDARD

SHAVO
FIRST NAME IN PNEUMATICS

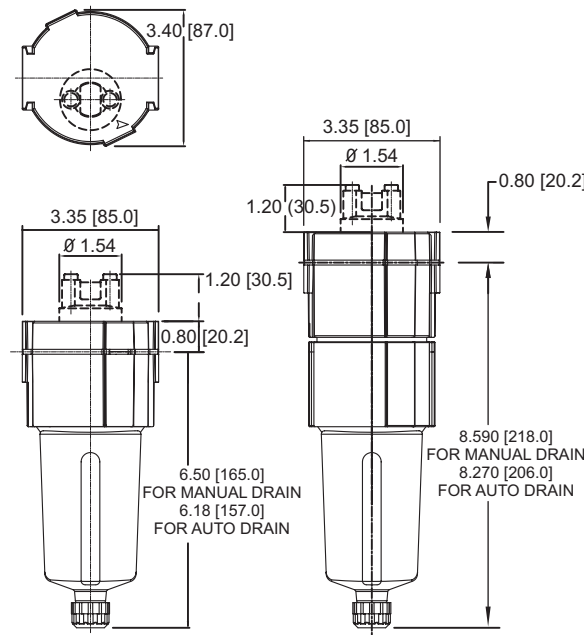
SF60C (G ¼, G ⅜, G ½) SF60H (G ½, G ¾)

FEATURES

- Shavo's Vayu™ coalescing type Oil Removal Filter - for high efficiency oil removal
- Allows in line or modular installation with other VAYU products.
- Quick release bayonet bowl.



PARAMETERS	SPECIFICATIONS
Pipe Threads	G 1/4, 3/8, 1/2, 3/4 - Standard BSPT, NPT - Optional
Element Material	Boro Silicate
Body Material	Al. Alloy die-cast
Bowl Material	Polycarbonate with bowl guard - Standard Al. Alloy metal with sight glass - Optional
Max. Inlet Pressure	with P.C. Bowl - 10.5 kg/cm ² (150 psig) with Metal Bowl - 17.5 kg/cm ² (250 psig)
Operating Temperature Range (ambient)	with P.C. Bowl : -6°C to 50°C (20°F to 120°F) with Metal Bowl : -6°C to 80°C (20°F to 175°F)
Recommended flow (at an inlet pressure of 7 kg/cm ²)	1/4" (Std. flow) - 10 dm ³ /sec (21 scfm) 3/8" (Std. flow) - 15 dm ³ /sec (32 scfm) 1/2" (Std. flow) - 17 dm ³ /sec (36 scfm) 1/2" (High flow) - 28 dm ³ /sec (60 scfm) 3/4" (High flow) - 28 dm ³ /sec (60 scfm)
Particle Removal	upto 0.01 micron
Maximum Oil Removal content	upto 0.01 ppm
Drain	Standard - Manual Optional - Automatic
Note : Recommended	Use Pre-Filter with 5 micron element



OIL REMOVAL FILTER - VAYU™ STANDARD

SHAVO
FIRST NAME IN PNEUMATICS

SF60C (G 1/4, G 3/8, G 1/2) SF60H (G 1/2, G 3/4)

Size	Flow (dm ³ /s)	Drain	Bowl	Model
G 1/4	10 dm ³ /sec	Manual Auto	P.C. with Guard P.C. with Guard	SF60C-2G-MOPN SF60C-2G-AOPN
G 3/8	15 dm ³ /sec	Manual Auto	P.C. with Guard P.C. with Guard	SF60C-3G-MOPN SF60C-3G-AOPN
G 1/2	28 dm ³ /sec	Manual Auto	P.C. with Guard P.C. with Guard	SF60C-4G-MOPN SF60C-4G-AOPN
G 3/4	28 dm ³ /sec	Manual Auto	P.C. with Guard P.C. with Guard	SF60C-6G-MOPN SF60C-6G-AOPN

Option Selector

Sample Model Number → **S F 6 0 C - 4 A - M 0 P N**

Position → **0 1 2 3 4 - 5 6 - 7 8 9 10**

0		S = Shavo
1	Product	F = Filter
2 3	Series	60 = "Vayu" - 1/2 Basic
4	Type	C = Oil Removal (With Nitrile Elastomers) H = Oil Removal - High Flow (With Nitrile Elastomers)
5	Size	2 = 1/4" 3 = 3/8" 4 = 1/2" 6 = 3/4"
6	Port Thread	A = NPT B = ISO RcTaper (=BSPT) G = ISO Parellel (=BSP) J = Japanese PT
7	Drain	M = Manual A = Automatic S = Semi-A.D.
8	Filter Element	0 = Oil Removal
9	Bowl	P = P. C. Bowl with Guard D = Metal Bowl with Sight Glass
10	Mounting & Accessories	N = No Mounting Bracket, No Service Life Indicator B = Wall Mounting Bracket, No Service Life Indicator S = No Mounting Bracket, Fitted with Service Life Indicator T = With Wall Mounting Bracket & Fitted with Service Life Indicator