

VAPOR REMOVAL FILTER - VAYU™ STANDARD

SHAVO
FIRST NAME IN PNEUMATICS

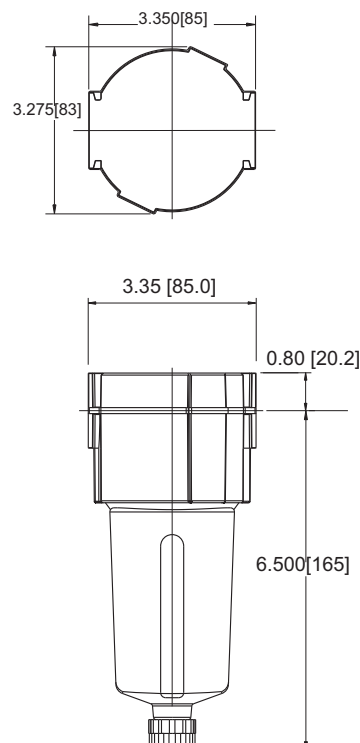
SF60V (G ¼, G ⅜, G ½, G ¾)

FEATURES

- Shavo's Vayu™ vapor removal fillers are Ultra high efficiency - medium flow units
- Activated carbon pack acts as an absorbant to assist in the removal of hydro carbon gases and also absorbs any oil carry over in the event of any malfunction.
- The element changes colour in the presence of oil to indicate that filter requires attention.
- Quick release bayonet bowl



PARAMETERS	SPECIFICATIONS
Pipe Threads	G 1/4, 3/8, 1/2, 3/4 - Standard BSPT, NPT - Optional
Element Material	Activated carbon
Body Material	Al. Alloy die-cast
Bowl Material	Polycarbonate - Standard Al. Alloy metal without sight glass - Optional
Max. Inlet Pressure	with P.C. Bowl - 10.5 kg/cm ² (150 psig) with Metal Bowl - 17.5 kg/cm ² (250 psig)
Operating Temperature Range (ambient)	with P.C. Bowl - 6°C to 50°C (20°F to 120°F) with Metal Bowl - 6°C to 80°C (20°F to 175°F)
Recommended flow (at an inlet pressure of 7 kg/cm ²)	10 dm ³ /sec (21 Scfm)
Particle Removal	upto 0.01 micron
Maximum Oil Removal content	upto 0.003 ppm
Note : Recommended	Use Pre-Filter with 5 micron element



VAPOR REMOVAL FILTER - VAYU™ STANDARD

SHAVO
FIRST NAME IN PNEUMATICS

SF60V (G 1/4, G 3/8, G 1/2, G 3/4)

Size	Flow (dm³/s)		Bowl	Model
G 1/4	dm³/sec		Polycarbonate	SF20V-2G-EOTN
G 3/8	dm³/sec		Polycarbonate	SF20V-3G-EOTN
G 1/2	dm³/sec		Polycarbonate	SF20V-3G-EOTN
G 3/4	dm³/sec		Polycarbonate	SF20V-3G-EOTN

Option Selector

Sample Model Number → **S F 6 0 V - 4 A - E O T N**

Position → **0 1 2 3 4 - 5 6 - 7 8 9 10**

