

MODULAR COMBINATION UNITS - VAYU™ STANDARD

SHAVO
FIRST NAME IN PNEUMATICS

(G¹/₄, G³/₈, G¹/₂, G³/₄)

FEATURES

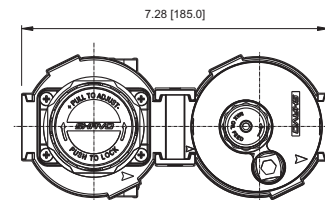
- Combinations of filter; regulator and lubricators can be ordered as pre-assembled units.
- Complete control of filtration regulation and lubrication at a single point
- Quick release bayonet bowl.
- Compact Modular Design
- Micro-Mist versions for most general purpose pneumatic applications.



SB60 + SL60

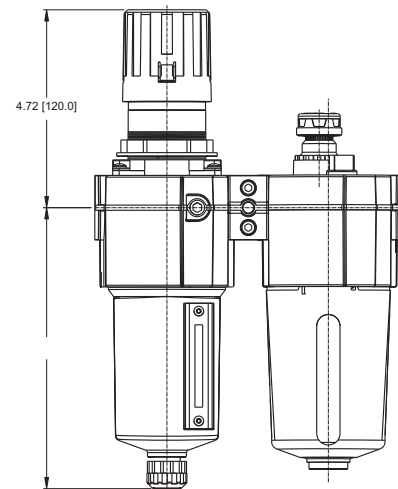
TECHNICAL DATA

- Medium : Compressed air only.
- Inlet pressure : Transparent bowl : 10 bar max.
Metal Bowl : 17 bar max.
- Ambient temperature: Transparent bowls : 50°C
Metal bowl : 80° C
- Consult our Technical Service for use below + 2°C



Materials

- Body : Aluminium alloy
- Bowls : Polycarbonate/Aluminium
- Filter Element : Polypropylene/Sintered Bronze
- Elastomers : Nitrile

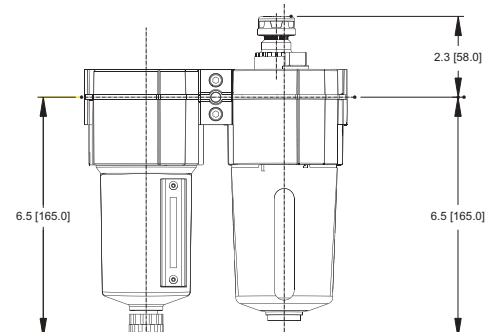
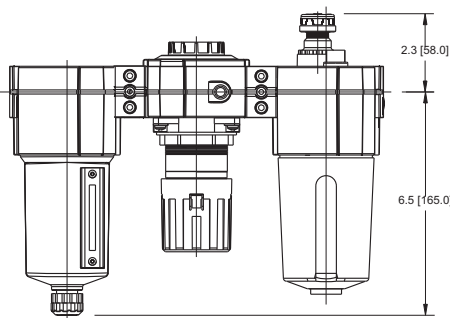
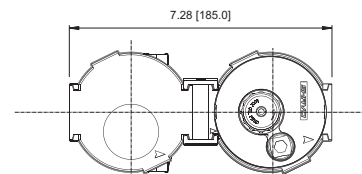
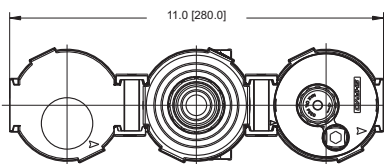


SF60 + SL60

Accessories

- Wall Mounting Bracket
- Shut-off Valve
- 50 mm Pressure Gauge

SF60 + SR60 + SL60



(G^{1/4}, G^{3/8}, G^{1/2}, G^{3/4})

Option Selector - F + L

Sample Model Number → **S M 6 0 D - 4 B - M 2 P - P N**

Position → **0 1 2 3 4 5 6 7 8 9 - 10 11**

0	S = Shavo
1 Set Options	M = Without Shut-Off Valve T = With Std Shut-Off Valve
2 3 Series	60 = "Vayu" - 1/2 Basic
4 Set Options	C = Filter + Micromist Lubricator. D = Filter + Oilfog Lubricator. G = Filter + Porting Block + Micromist Lubricator. M = Filter + Porting Block + Oilfog Lubricator.
5 Size	2 = 1/4" 3 = 3/8" 4 = 1/2" 6 = 3/4"
6 Port Thread	A = NPT B = ISO Rc Taper (=BSPT) G = ISO Parellel (=BSP) J = Japanese Pt
7 Drain	M = Manual A = Automatic S = Semi A.D.
8 Filter Element	1 = 05 M Porous Plastic 2 = 25 M Porous Plastic 3 = 50 M Porous Plastic 6 = 05 M Sintered Bronze 7 = 25 M Sintered Bronze 8 = 50 M Sintered Bronze
9 Bowl	P = P.C. Bowl with Guard D = Metal Bowl with Sight Glass
10 Lubricator Bowl	P = P.C. Bowl with Guard (Bottom Closed) D = Metal Bowl with Sight Glass (Bottom Closed)
11 Mounting & Accessories	N = No Mounting Bracket B = With Wall Mtg. Bracket Fitted

MODULAR COMBINATION UNITS - VAYU™ STANDARD

SHAVO
FIRST NAME IN PNEUMATICS

(G^{1/4}, G^{3/8}, G^{1/2}, G^{3/4})

Option Selector - F/R + L

Sample Model Number → **M 6 0 B - 4 G - M 2 P - R G M - P N**

Position → **1 2 3 4 | 5 6 | 7 8 9 | 10 11 12 | 13 14**

0	S = Shavo																		
1 Set Options	M = Knob Type without Shut-Off Valve T = Knob Type with Shut-Off Valve N = 'T' Handle Type without Shut-Off Valve R = 'T' Handle Type with Shut-Off Valve																		
2 3 Series	60 = "Vayu" - 1/2 Basic																		
4 Set Options	A = Filter + Regr + Microfog Lubricator B = Filter + Regr + Oil Fog Lubricator E = Filter + Port . Block + Regr + MF Lubricator F = Filter + Port . Block + Regr + Of Lubricator																		
5 Size	2 = 1/4" 3 = 3/8" 4 = 1/2" 6 = 3/4"																		
6 Port Thread	<table border="1"> <thead> <tr> <th></th> <th>Main Port</th> <th>Gauge Port</th> </tr> </thead> <tbody> <tr> <td>A</td> <td>NPT</td> <td>BSPT</td> </tr> <tr> <td>B</td> <td>BSPT</td> <td>BSPT</td> </tr> <tr> <td>G</td> <td>BSP</td> <td>BSPT</td> </tr> <tr> <td>N</td> <td>NPT</td> <td>NPT</td> </tr> <tr> <td>J</td> <td>Japanese</td> <td>PT</td> </tr> </tbody> </table>		Main Port	Gauge Port	A	NPT	BSPT	B	BSPT	BSPT	G	BSP	BSPT	N	NPT	NPT	J	Japanese	PT
	Main Port	Gauge Port																	
A	NPT	BSPT																	
B	BSPT	BSPT																	
G	BSP	BSPT																	
N	NPT	NPT																	
J	Japanese	PT																	
7 Drain	M = Manual A = Automatic S = Semi A.D.																		
8 Filter Element	1 = 05 M Porous Plastic 2 = 25 M Porous Plastic 3 = 50 M Porous Plastic 6 = 05 M Sintered Bronze 7 = 25 M Sintered Bronze 8 = 50 M Sintered Bronze																		
9 Bowl	P = P.C. Bowl with Guard D = Metal Bowl with Sight Glass																		
10 Relief	R = Relieving N = Non - Reliving																		
11 Gauge	N = No. PR. Gauge G = With Pr. Gauge																		
12 Sec. Pr. Range	C = 0.21 to 2.1 kg/sq.cm E = 0.35 to 3.5 kg/sq.cm L = 0.87 to 8.75 kg/sq.cm M = 1.00 to 10.00 kg/sq.cm S = 1.75 to 17.50 kg/sq.cm (Only with 'T' Handle & Metal Bowl)																		
13 Lubricator Bowl	P = P.C. Bowl with Guard (Bottom Closed) D = Metal Bowl with Sight Glass (Bottom Closed)																		
14 Mounting & Accessories	N = No Mounting Bracket Regd B = Wall Mtg. Bracket (2 Nos) Fitted																		

MODULAR COMBINATION UNITS - VAYU™ STANDARD

SHAVO
FIRST NAME IN PNEUMATICS

(G^{1/4}, G^{3/8}, G^{1/2}, G^{3/4})

Option Selector - F + R + L

Sample Model Number → **M 6 0 J - 4 G - M 2 P / R G M - P N**

Position → **1 2 3 4 | 5 6 | 7 8 9 | 10 11 12 - 13 14**

1 Set Options	<p>M = Knob Type without Shut-Off Valve T = Knob Type with Shut-Off Valve N = 'T' Handle Type without Shut-Off Valve R = 'T' Handle Type with Shut-Off Valve</p>																		
2 3 Series	<p>60 = "Vayu" - 1/2 Basic</p>																		
4 Set Options	<p>H = Filter/Regr + Micromist Lubricator J = Filter/Regr + Oil Fog Lubricator K = Filter/Regr + Porting.Block + Micromist Lubricator L = Filter/Regr + Porting.Block + Oilfog Lubricator</p>																		
5 Size	<p>2 = 1/4" 3 = 3/8" 4 = 1/2" 6 = 3/4"</p>																		
6 Port Thread	<table border="1"> <thead> <tr> <th></th> <th>Main Port</th> <th>Gauge Port</th> </tr> </thead> <tbody> <tr> <td>A</td> <td>NPT</td> <td>BSPT</td> </tr> <tr> <td>B</td> <td>BSPT</td> <td>BSPT</td> </tr> <tr> <td>G</td> <td>BSP</td> <td>BSPT</td> </tr> <tr> <td>N</td> <td>NPT</td> <td>NPT</td> </tr> <tr> <td>J</td> <td>Japanese</td> <td>PT</td> </tr> </tbody> </table>		Main Port	Gauge Port	A	NPT	BSPT	B	BSPT	BSPT	G	BSP	BSPT	N	NPT	NPT	J	Japanese	PT
	Main Port	Gauge Port																	
A	NPT	BSPT																	
B	BSPT	BSPT																	
G	BSP	BSPT																	
N	NPT	NPT																	
J	Japanese	PT																	
7 Drain	<p>M = Manual A = Automatic S = Semi A.D.</p>																		
8 Filter Element	<p>1 = 05 M Porous Plastic 2 = 25 M Porous Plastic 3 = 50 M Porous Plastic 6 = 05 M Sintered Bronze 7 = 25 M Sintered Bronze 8 = 50 M Sintered Bronze</p>																		
9 Bowl of AFR	<p>P = P.C. Bowl with Guard D = Metal Bowl with Sight Glass</p>																		
10 Relief	<p>R = Relieving N = Non - Reliving</p>																		
11 Gauge	<p>N = No. PR. Gauge G = With Pr. Gauge</p>																		
12 Sec. Pr. Range	<p>C = 0.21 to 2.1 kg/sq.cm E = 0.35 to 3.5 kg/sq.cm L = 0.87 to 8.75 kg/sq.cm M = 1.00 to 10.00 kg/sq.cm S = 1.75 to 17.50 kg/sq.cm (Only with 'T' Handle & Metal Bowl)</p>																		
13 Lubricator Bowl	<p>P = P.C. Bowl with Guard (Bottom Closed) D = Metal Bowl with Sight Glass (Bottom Closed)</p>																		
14 Mounting & Accessories	<p>N = No Mounting Bracket Regd B = Wall Mtg. Bracket Fitted</p>																		