

**ISO-1 Solenoid Valve**

**FEATURES**

- High Flow Rate
- Low power solenoid
- Manual override as standard
- Wide range of sub-bases and accessories



**SPECIFICATION**

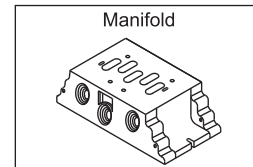
PARAMETERS	SPECIFICATIONS
Medium	Compressed Air, Filtered, Lubricated or Non Lubricated
Type	Spool
Operating Pressure	2 to 8 kg/cm <sup>2</sup>
Operating Temperature	-5 to + 70°C
Flow Rate	ISO 1 - 1450 Litre per minute
Coil Insulation	- Class F.
Allowable Voltage	- 15% to + 10%

\*\*\*\* : Insert voltage details AC110V,220V(50/60)Hz,DC24V  
C : Closed center, P : Pressure center, R : Exhaust center

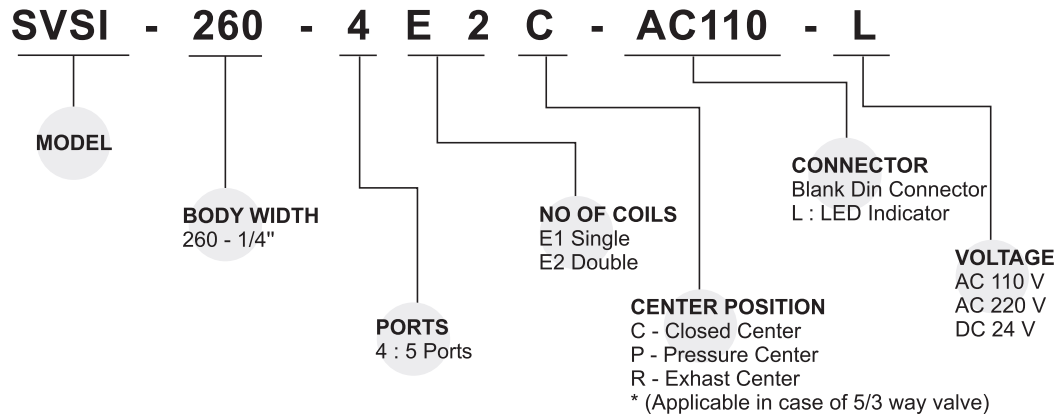
**Accessories & Manifold**

Valve	Description	Model
ISO#1	Side Ported Manifold	SVSI-260-B
ISO#1	Manifold with * stations	SVSI-260-M*

\* no.of stations

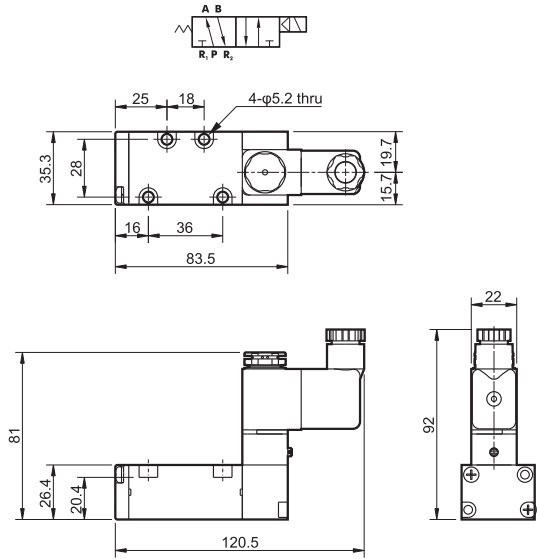


**OPTION SELECTOR**

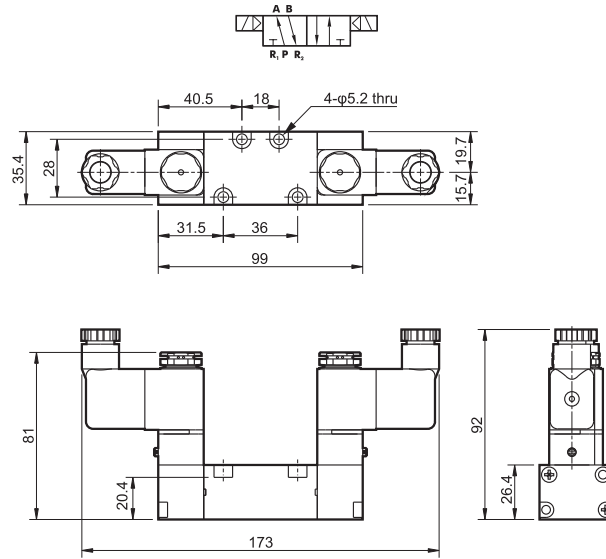


**Note :** Please add suffix 'L' for coil connector with LED indicator

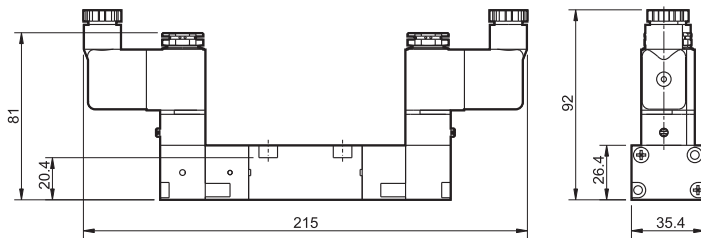
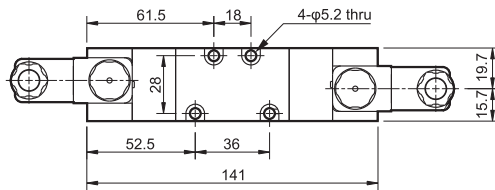
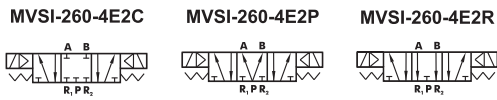
**SVSI-260-4E1**



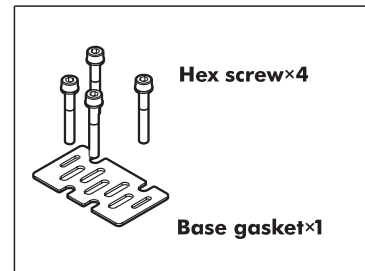
**SVSI-260-4E2**



**SVSI-260-4E2C.P.R**

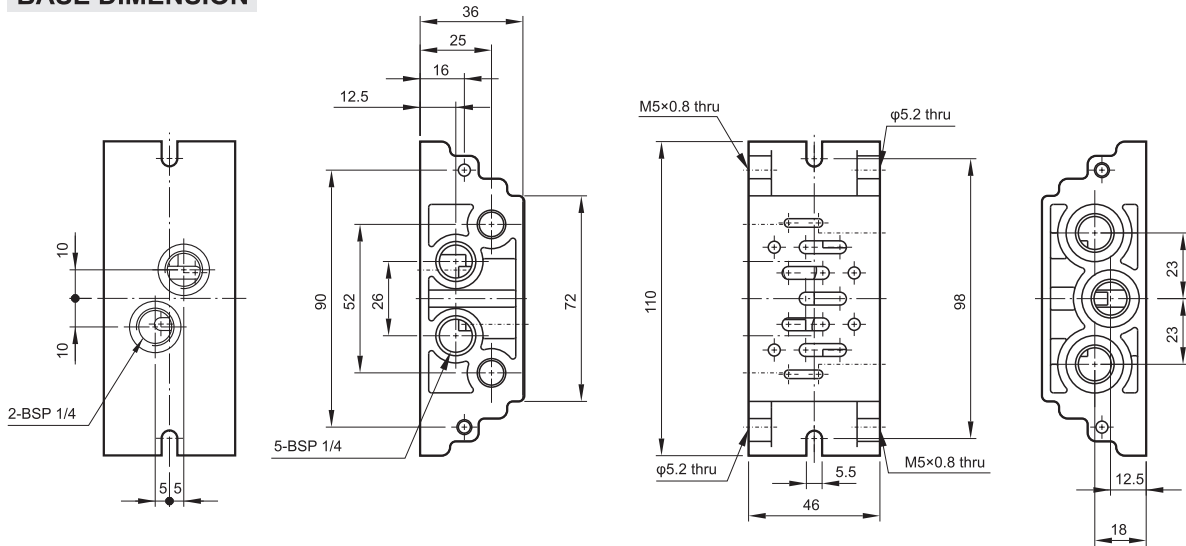


**Accessories**



**ISO-1 Solenoid Valve**

**BASE DIMENSION**

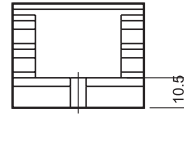


**OPTION SELECTOR**

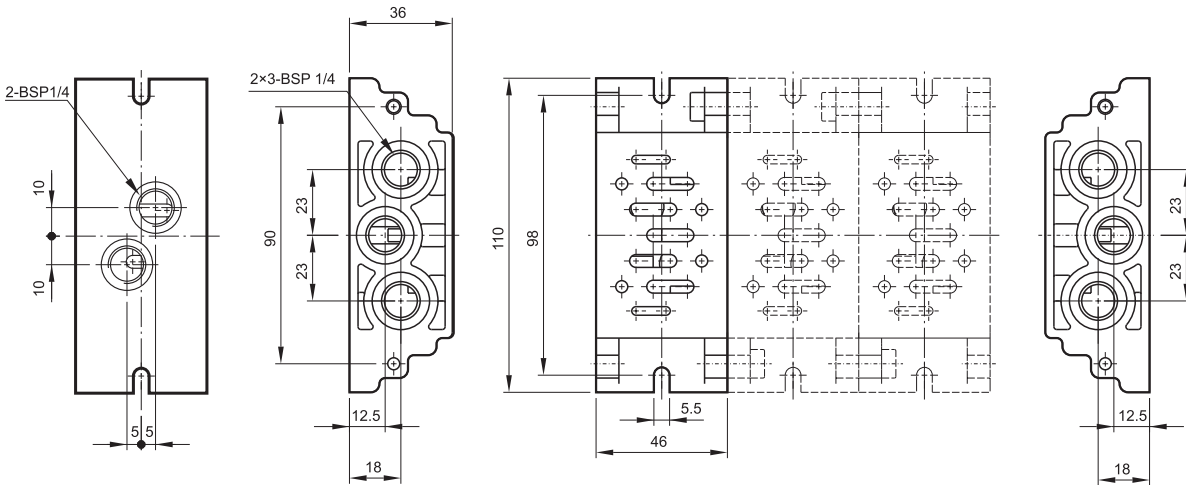
**SVSI—1—B**

MODEL

BASE



**MANIFOLD OF SOLENOID VALVE**



**OPTION SELECTOR**

**SVSI—1—M2**

MODEL

MANIFOLD

NO. OF STATIONS  
1, 2, 3

