

AIR FILTER / REGULATOR - MINIATURE

FIRST NAME IN PNEUMATICS

SB07 (G 1/8, G 1/4)

FEATURES

- Shavo's Miniature Series Air Filter/Regulator combination unit saves money, saves space.
- Wide choice of Secondary Pressures and filter element.
- Rust-free Zinc Pressure Die Cast body powder - coated for longer life.
- Also optional metal (non-transparent) bowl.



PARAMETERS	SPECIFICATIONS	
Pipe Threads	G 1/8, 1/4 Parallel (F) BSPT _r /NPT	- Standard - Optional
Body Material	Zinc Alloy die-cast	
Filter Element Size	5, 25, 100 micron.	
Filter Element Material	Plastic (Polypropylene) Sintered Bronze	- Standard - Optional
Bowl Material	Transparent Polycarbonate Metal Zinc diecast	- Standard - Optional
Maximum Inlet Pressure	with PC Bowl : with Metal Bowl :	10.5 kg/cm ² (150 psig) 17.5 kg/cm ² (250 psig)
Max. Operating Temp. (ambient)	with PC Bowl : with Metal Bowl :	50°C (125° F) 80°C (175° F)
Drain	Manual Automatic	- Standard -Optional (operates only on flow change)
Regulator Type	Relieving Non-Relieving	- Standard -Optional
Pressure Adjustment	Non-rising plastic knob	
Regulated secondary outlet pressure (spring range) and recommended Pressure gauge ranges available in kg/cm ²)	Spring Range	Gauge Range
	0.07 - 0.70	0 - 2.5 kg/cm ²
	0.21 - 2.10	0 - 2.5 kg/cm ²
	0.35 - 3.50	0 - 4 kg/cm ²
	0.70 - 7.00	0 - 6 kg/cm ²
Std. Nominal flow at 10 bar inlet pressure and 1 bar drop in set sec. value of 6 bar	6.0 dm ³ /sec (13 scfm) for 1/8" 6.5 dm ³ /sec (14 scfm) for 1/4"	
Gauge size	40 mm OD	
Gauge Port size	Rc 1/8 BSPT _r .	
Gauge connection	Back	
Mounting Bracket	Optional	
Panel mounting	Standard - Available	

* Technical know-how, design and drawings originally from C.A. Norgren Co. USA

AIR FILTER / REGULATOR - MINIATURE

FIRST NAME IN PNEUMATICS

SB07 (G 1/8, G 1/4)

Size	Flow (dm ³ /s)	Element (um)	Drain	Bowl	Range Kg/cm ²	Operation	Model
G 1/8	7 dm ³ /sec	25	Auto Manual	Transparent	0-7	Relieving	SBO7-100-A2KC SBO7-100-M2KC
G 1/4	7 dm ³ /sec	25	Auto Manual	Transparent	0-7	Relieving	SBO7-200-A2KC SBO7-200-M2KC

Option Selector

Sample Model Number →

S B O 7 2 0 0 M 4 K B

Position →

0 1 2 3 4 5 6 7 8 9 10

0

S = Shavo

1 Unit

B = Filter / Regulator

2 3 Series

07 = Miniature Series

4 Pipe Size

1 = 1/8"
2 = 1/4"

5 6 Bowl

00 = Transparent Bowl without gauge
21 = Transparent Bowl with gauge
24 = Metal Bowl without gauge
25 = Metal Bowl with gauge
(Relieving models with Nitrile Elastomers)

7 Drain

M = Manual Drain
A = Automatic Drain (Operates only on flow change)

8 Filter Element

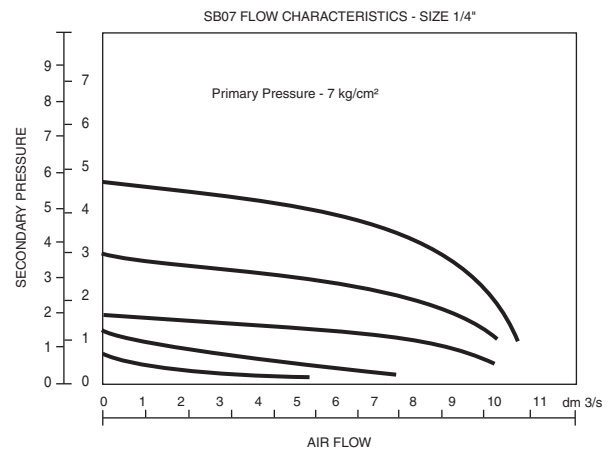
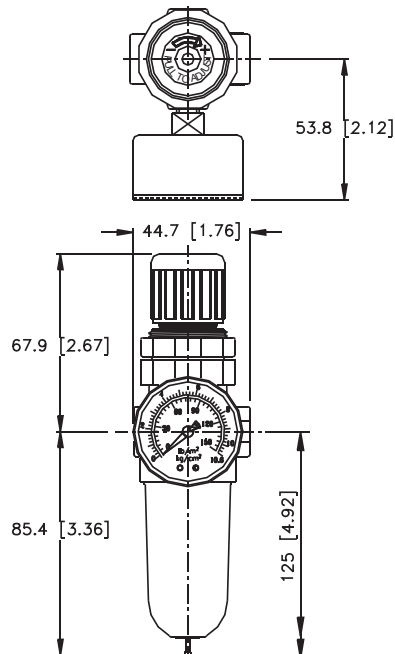
Size	Micron	5	25	100
Porous Plastic		1	2	4
Sintered Bronze		6	7	9

9 Secondary Pressure Rating

A = 0.07 to 0.7 kg/cm²
C = 0.21 to 2.1 kg/cm²
E = 0.35 to 3.5 kg/cm²
K = 0.70 to 7.0 kg/cm²

10 Threading

B = BSPT
A = NPT
C = BSP Parallel



* Technical know-how, design and drawings originally from C.A. Norgren Co. USA