

OIL REMOVAL FILTER - VAYU™ MINIATURE

SHAVO
FIRST NAME IN PNEUMATICS

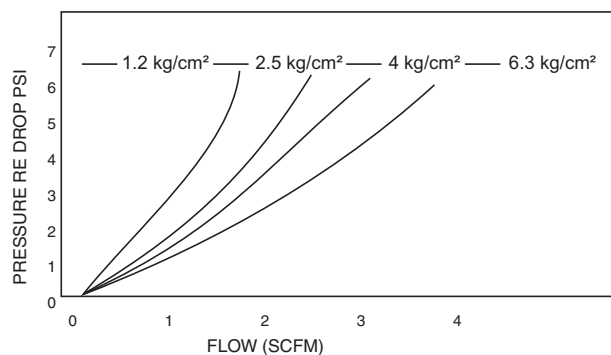
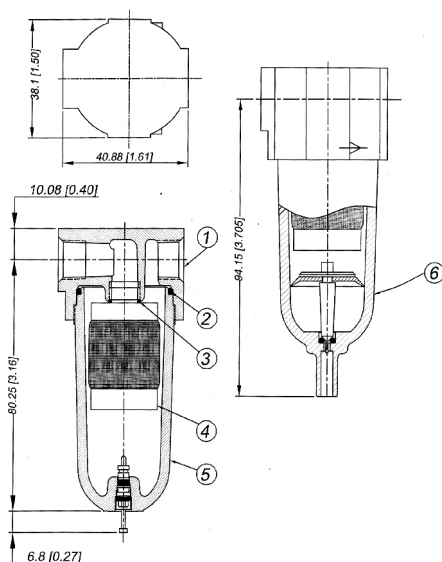
SF10C (G¹/₈, G¹/₄)

FEATURES

- Shavo's VAYU™ Miniature Oil Removal Filters provide optimum performance in minimum space.
- Conditions air to technically oil free standard.
- Coalescing element removes sub-micron particles and converts oil and water mist to liquid form to drain away.



PARAMETERS	SPECIFICATIONS
Pipe Threads	Rc 1/8, 1/4 Taper (F) - Standard BSP / NPT - Optional
Element Material	Composite element
Body Material	Al. Alloy die-cast
Bowl Material	Transparent Polycarbonate - Standard Zinc Alloy Die Cast - Optional
Maximum Inlet Pressure	with PC Bowl : 10.5 kg/cm ² (150 psig) with Metal Bowl : 17.5 kg/cm ² (250 psig)
Operating Temperature Range (ambient)	with PC Bowl : -6° C to 50° C (20° F to 120° F) with Metal Bowl : -6° C to 80° C (20° F to 175° F)
Recommended flow (at an inlet pressure of 7 kg/cm ²)	1.4 dm ³ /sec (3 scfm)
Particle Removal	upto 0.01 micron
Maximum Oil Removal content	upto 0.01 ppm
Drain	Standard - Manual Optional - Automatic (operates only on flow changes)
Note : Recommended	Use Pre-Filter with 5 micron element.



OIL REMOVAL FILTER - VAYU™ MINIATURE

SHAVO
FIRST NAME IN PNEUMATICS

SF10C (G 1/8, G 1/4)

Size	Flow (dm³/s)	Element	Drain	Bowl	Model
G 1/8	1.4 dm³/sec	Composite	Manual Auto	Transparent Transparent	SF10C-1G-M0T SF10C-1G-A0T
G 1/4	1.4 dm³/sec	Composite	Manual Auto	Transparent Transparent	SF10C-2G-M0T SF10C-2G-A0T

Option Selector

Sample Model Number → **S F 1 0 C - 2 B - M 4 T Q**

Position → **0 1 2 3 4 5 6 7 8 9 10**

