

VAPOR REMOVAL FILTER - VAYU™ INTERMEDIATE

SHAVO
FIRST NAME IN PNEUMATICS

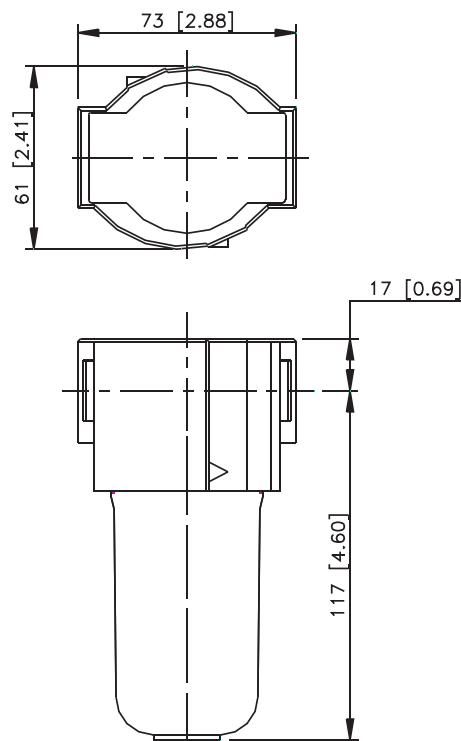
SF20V (G ¼, G ⅜, G ½)

FEATURES

- Shavo's Vayu™ vapor removal fillers are Ultra high efficiency - compact size - low flow units.
- Activated carbon pack acts as an absorbant to assist in the removal of hydro carbon gases and also absorbs any oil carry over in the event of any malfunction.
- The element changes colour in the presence of oil to indicate that filter requires attention.



PARAMETERS	SPECIFICATIONS
Pipe Threads	G 1/4, 3/8, 1/2 - Standard BSPT, NPT - Optional
Element Material	Activated carbon
Body Material	Al. Alloy die-cast
Bowl Material	Polycarbonate - Standard Al. Alloy metal without sight glass - Optional
Max. Inlet Pressure	with P.C. Bowl - 10.5 kg/cm ² (150 psig) with Metal Bowl - 17.5 kg/cm ² (250 psig)
Operating Temperature Range (ambient)	with P.C. Bowl : -6°C to 50°C (20°F to 120°F) with Metal Bowl : -6°C to 80°C (20°F to 175°F)
Recommended flow (at an inlet pressure of 7 kg/cm ²)	3.8 dm ³ /sec (8 scfm)
Particle Removal	upto 0.01 micron
Maximum Oil Removal content	upto 0.003 ppm
Note : Recommended	Use Pre-Filter with 5 micron element



VAPOR REMOVAL FILTER - VAYU™ INTERMEDIATE

SHAVO
FIRST NAME IN PNEUMATICS

SF20V (G 1/4, G 3/8, G 1/2)

Size	Flow (dm³/s)		Bowl	Model
G 1/4	3.8 dm³/sec		Polycarbonate	SF20V-2G-EOTN
			Polycarbonate	SF20V-3G-EOTN
G 3/8	3.8 dm³/sec		Polycarbonate	SF20V-3G-EOTN

Option Selector

Sample Model Number → **S F 2 0 V - 2 A - E O T N**

Position → **0 1 2 3 4 - 5 6 - 7 8 9 10**

0	S = Shavo
1 Product	F = Filter
2 3 Series	20 = "Vayu" - 3/8 Basic
4 Type	V = Vapor Removal (with Nitrile Elastomers)
5 Size	2 = 1/4" 3 = 3/8" 4 = 1/2"
6 Port Thread	A = NPT B = ISO Rc Taper (=BSPT) G = ISO Parellel (=BSP) J = Japanese PT
7 Drain	E = Closed Bottom (No Drain)
8 Filter Element	0 = Vapor Removal
9 Bowl	T = Transparent Bowl
10 Mounting & Accessories	N = No Mounting Bracket B = Wall Mounting Bracket