

COMPRESSED AIR LUBRICATOR - VAYU™ MINIATURE

FIRST NAME IN PNEUMATICS

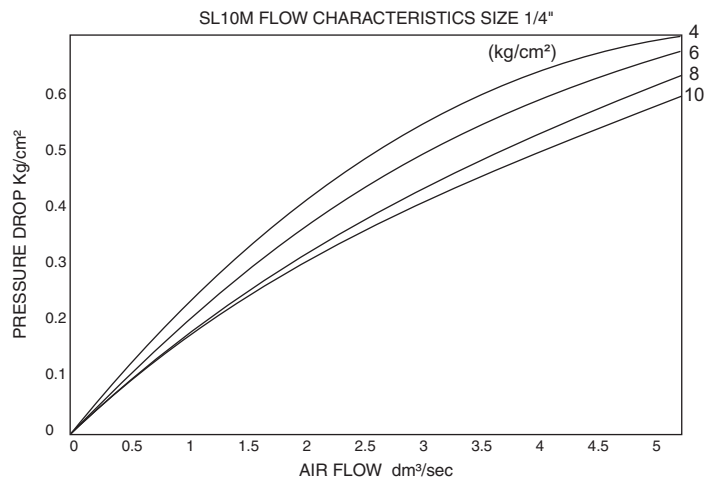
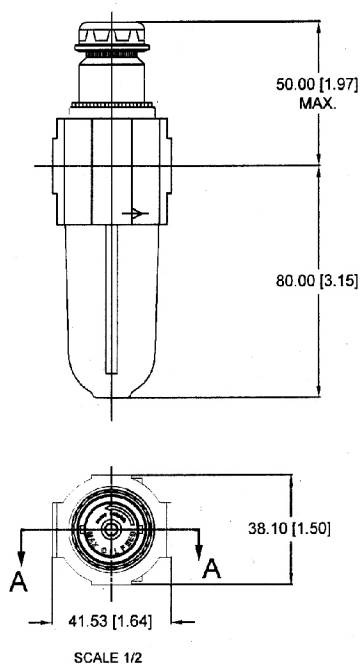
SL10M (G¹/₈, G¹/₄)

FEATURES

- Shavo's VAYU™ Miniature Series Micro-Mist Lubricator provides fine Micro-Mist oil delivery
- Aluminium Pressure Die Cast body powder-coated for longer life.
- Transparent sight-feed dome gives 360° visibility.
- Accurate drip rate adjustment with red snap action lock.
- Also optional metal (non-transparent) bowl.



PARAMETERS	SPECIFICATIONS
Pipe Threads	G 1/8, 1/4 Parallel (F) - Standard BSPT _r . / NPT
Type	Micro - Mist
Body Material	Aluminium Alloy die-cast
Bowl Material	Standard - Transparent Polycarbonate Optional - Zinc Alloy Metal bowl
Bowl Capacity	17 cc
Maximum Inlet Pressure	with PC Bowl : 10.5 kg/cm ² (150 psig) with Metal Bowl : 17.5 kg/cm ² (250 psig)
Maximum Operating Temperature (ambient)	with PC Bowl : 50° C (125° F) with Metal Bowl : 80° C (175° F)
Standard Nominal Flow Rate (at 6 bar supply and 1 bar drop)	7.5 dm ³ / sec (16 scfm)
Minimum Flow reqd to start (at 6 bar inlet)	0.24 dm ³ / sec (0.5 scfm)



COMPRESSED AIR LUBRICATOR - VAYU™ MINIATURE

FIRST NAME IN PNEUMATICS

SL10M (G^{1/8}, G^{1/4})

Size	Flow (dm ³ /s)	Start point (dm ³ /s)	Bowl	Bowl Capacity	Model
G 1/8	7.5 dm ³ /sec	0.24 dm ³ /sec	Transparent Metal	17cc	SL10M-1GQ SL10M-1GM
G 1/4	7.5 dm ³ /sec	0.24 dm ³ /sec	Transparent Metal		SL10M-1GQ SL10M-2GM

Option Selector

Sample Model Number → **S L 1 0 M - 2 G Q**

