

COMPRESSED AIR LUBRICATOR - LARGE

FIRST NAME IN PNEUMATICS

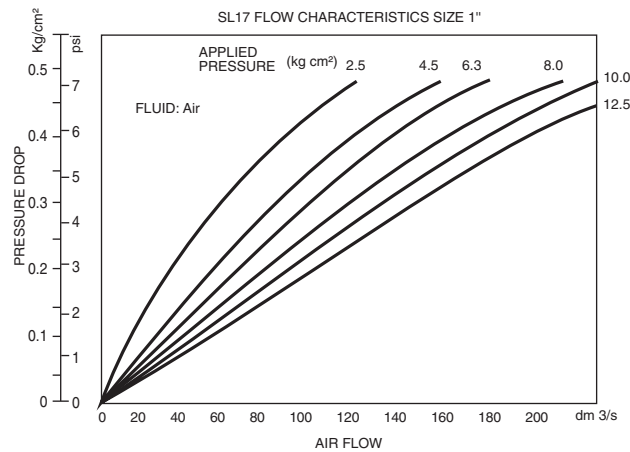
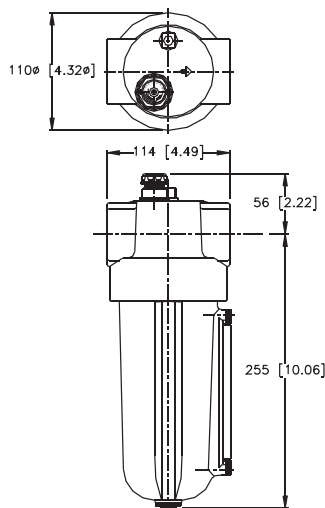
SL17 (G 1, G 1½)

FEATURES

- Shavo's Designer Series Large Flow Range Lubricator is useful to lubricate air tools, cylinders, valves, air motors and other air driven devices.
- Use Oil-fog model to lubricate a single tool/device or choose 'Micro-Mist' in systems with complex piping or multiple points of lubrication.



PARAMETERS	SPECIFICATIONS
Pipe Threads	G 1, 1½ Parallel (F) - Standard
Type	Oil-Fog / Micro - Mist
Body Material	Al. Alloy die-cast
Bowl Material	Al. Alloy Metal with sight glass - Standard
Bowl Capacity	1 litre
Maximum Inlet Pressure	17.5 kg/cm ² (250 psig)
Maximum Operating Temperature (ambient)	80°C (175°F)
Standard Nominal Flow Rate (at 6 bar supply and 1 bar drop)	195 dm ³ / sec (410 scfm)
Minimum reqd flow (at 6 bar inlet)	3.4 dm ³ / sec (7.2 scfm)
Recommended Lubricants	Use any misting type oil rated 50 - 200 SSU (ISO grade 7 - 46) at 38° C (100° F) Use oils which are compatible with the material of construction.



* Technical know-how, design and drawings originally from C.A. Norgren Co. USA

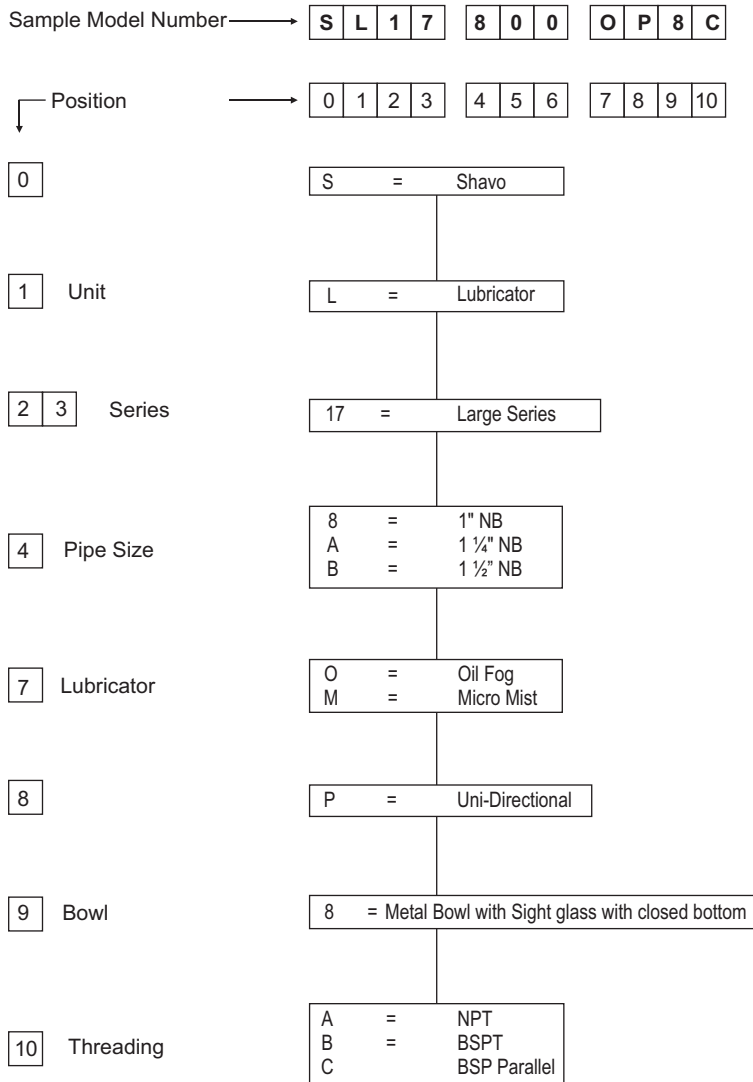
COMPRESSED AIR LUBRICATOR - LARGE

FIRST NAME IN PNEUMATICS

SL17 (G 1, G 1½)

Size	Flow (dm ³ /s)	Start point (dm ³ /s)	Bowl	Bowl Capacity	Model
G 1	195 dm ³ /sec	3.4 dm ³ /sec	Metal	1 Litre	SL17-800-OP8C
G 1 ½					SL17-B00-OP8C
G 1	195 dm ³ /sec	3.4 dm ³ /sec	Metal	1 Litre	SL17-800-MP8C
G 1 ½					SL17-B00-MP8C

Option Selector



* Technical know-how, design and drawings originally from C.A. Norgren Co. USA