

PORTED COMBINATION UNITS - Miniature

FIRST NAME IN PNEUMATICS

(G 1/8, G 1/4)

FEATURES

- Combinations of filter-regulator and lubricators can be ordered as pre-assembled units.
- Complete control of filtration, regulation and lubrication at a single point
- Micro-Mist versions for most general purpose pneumatic applications.



TECHNICAL DATA

- Medium : Compressed air only.
- Inlet pressure : Transparent bowl : 10 bar max.
Metal Bowl : 17 bar max.
- Ambient temperature: Transparent bowls : 50°C
Metal bowl : 80° C
- Consult our Technical Service for use below + 2°C

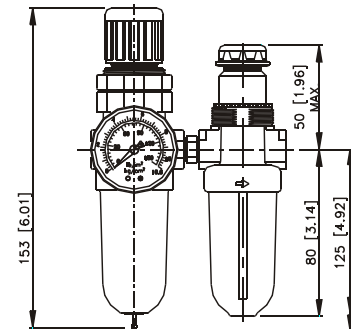
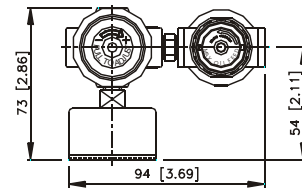
Materials

- Body : Aluminium Alloy.
- Bowls : Polycarbonate/Aluminium
- Filter Element : Polypropylene/Sintered Bronze
- Elastomers : Nitrile

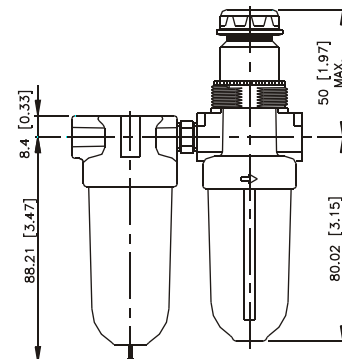
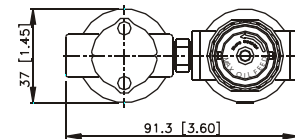
Accessories

- Wall Mounting Bracket
- 40 mm Pressure Gauge

SB07 + SL07



SF07 + SL07



* Technical know-how, design and drawings originally from C.A. Norgren Co. USA