

# ISO-6432 Miniature Cylinders / Non-Pivot Type Miniature Cylinders

## Features

- Designs of oil-filled alloy, special housing and bushing provide the needed self-lubrication of piston rod.
- Stainless Steel cylinder tubes resist corrosion and abrasion.
- Available with a comprehensive selection of mountings for fixed or flexible installation.
- ISO 6432 Unified design, most parts of each type are interchangeable among each other.
- Standard with magnet



## TECHNICAL DATA

- **Medium**  
Compressed air, filtered, lubricated or non-lubricated
- **Operation**  
Double acting / single acting
- **Max. Operating pressure**  
0.6~10 kgf/cm<sup>2</sup>
- **Available Temperature Range**  
-5~60°C
- **Available Speed**  
50~500 mm/sec.

## MATERIAL

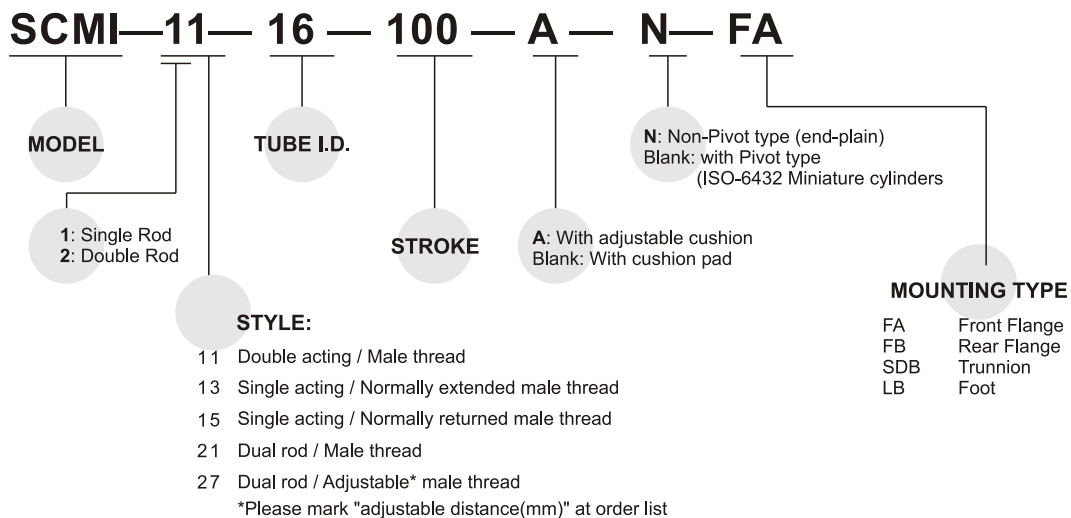
- **Piston rod**  
Stainless steel
- **Barrel**  
Stainless steel tube
- **End Covers**  
Anodised aluminium
- **Seals & 'O'-rings**  
Nitrile/Polyurethane

## Table for standard stroke

	Tube I.D.	Stroke (mm)	Max. stroke
Single acting	∅ 16	15, 25, 50, 75, 100	
	∅ 20, 25	15, 25, 50, 75, 100, 125, 150	
Double acting	∅ 16	15, 25, 50, 75, 100, 125, 150, 200, 250, 300, 350, 400, 450, 500	900
	∅ 20, 25	15, 25, 50, 75, 100, 125, 150, 200, 250, 300, 350, 400, 450, 500	900

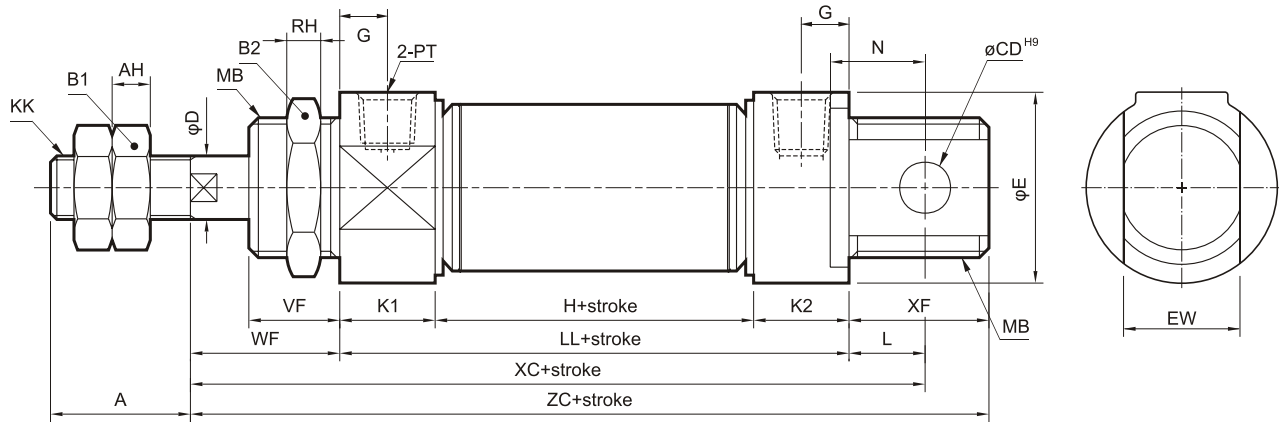
- Stroke out of specification is also available.
- Please consult us if stroke out of specification.

## OPTION SELECTOR

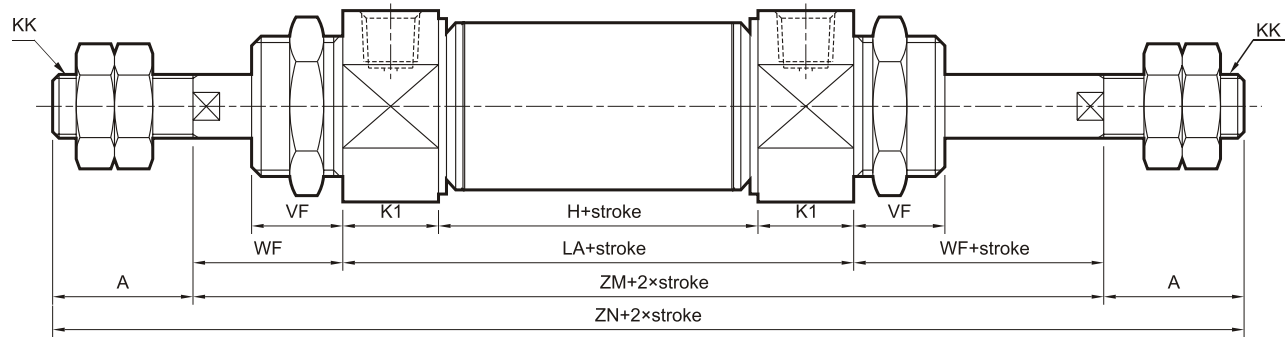


**ISO-6432 Miniature Cylinders**

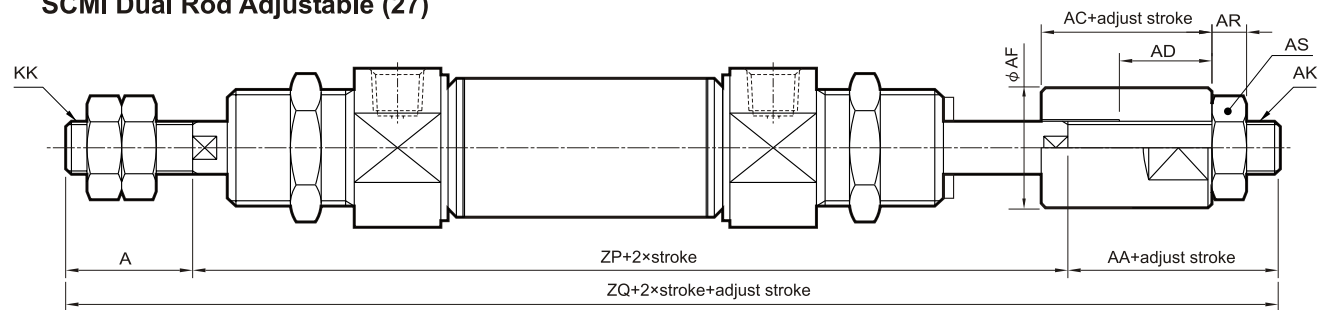
**SCMI Double Acting (11)**



**SCMI Dual Rod (21)**



**SCMI Dual Rod Adjustable (27)**

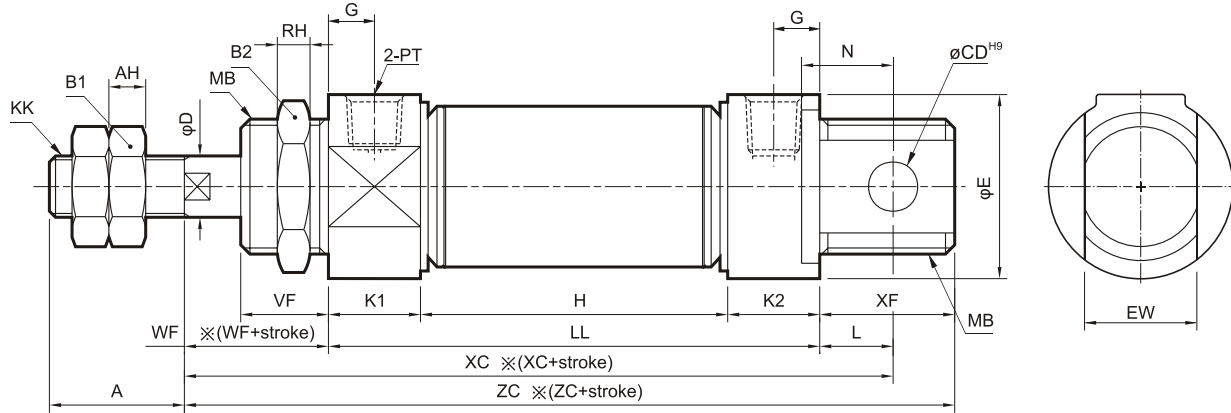


Code Tube I.D.	A	AA	AC	AD	AF	AH	AK	AR	AS	B1	B2	CD	D	E	EW	G	H	KK	K1	K2	L	LA	LL	MB	N
16	16	16	13	7.5	12	5	M5×0.8	4	8	10	22	6	6	19.7	12 <sup>-0.05</sup> <sub>-0.4</sub>	5	34.5	M6×1.0	10	10	5.5	54.5	54.5	M16×1.5	9
20	20	19	15	9.5	16	5	M8×1.25	5	13	13	30	8	8	29.7	16 <sup>-0.05</sup> <sub>-0.4</sub>	8	38	M8×1.25	15	15	3	68	68	M22×1.5	12
25	22	19	15	9.5	16	6	M8×1.25	5	13	17	30	8	10	29.7	16 <sup>-0.05</sup> <sub>-0.4</sub>	7.5	37	M10×1.25	15	15	9	67	67	M22×1.5	12

Code Tube I.D.	PT	RH	VF	WF	XC	XF	ZC	ZM	ZN	ZP	ZQ
16	M5×0.8	6	18	22	82	18	94.	98.	130.5	102	134
20	PF 1/8	6	20	24	95	20	5	5	156	119	158
25	PF 1/8	6	22	28	104	22	112	116	167	124.5	165.5

ISO-6432 Miniature Cylinders

SCMI Single Acting (13, 15)



※ ( ) Dimension for 13 type

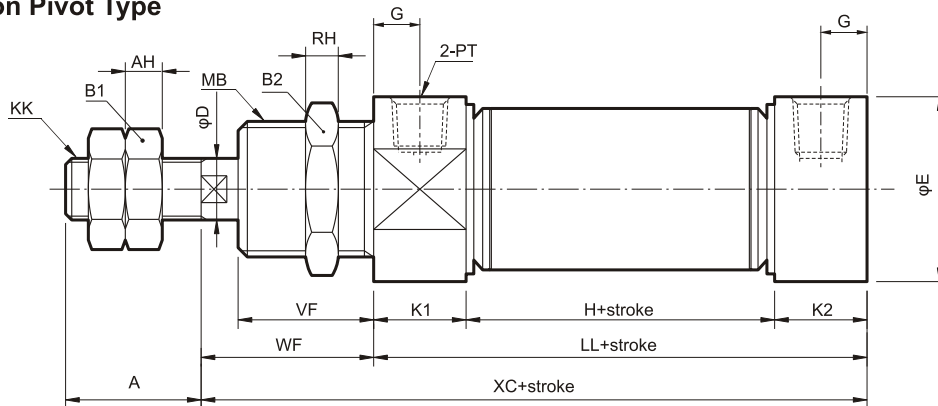
Code Tube I.D.	A	AA	AC	AD	AH	AK	AR	AS	B1	B2	CD	D	E	EW	G	KK	K1	K2	L	LA	MB	N	PT
16	16	16	13	7.5	5	M5×0.8	4	8	10	22	6	6	19.7	12 <sup>-0.05</sup> <sub>-0.4</sub>	5	M6×1.0	10	10	5.5	54.5	M16×1.5	9	M5×0.8
20	20	19	15	9.5	5	M8×1.25	5	13	13	30	8	8	29.7	16 <sup>-0.05</sup> <sub>-0.4</sub>	8	M8×1.25	15	15	3	68	M22×1.5	12	PF 1/8
25	22	19	15	9.5	6	M8×1.25	5	13	17	30	8	10	29.7	16 <sup>-0.05</sup> <sub>-0.4</sub>	7.5	M10×1.25	15	15	9	67	M22×1.5	12	PF 1/8

Code Tube I.D.	RH	VF	WF	XF	ZM	ZN	ZP	ZQ
16	6	18	22	18	98.5	130.5	96	134
20	6	20	24	20	116	156	119	158
25	6	22	28	22	123	167	124.5	165.5

Code Stroke I.D.	H							LL							XC						
16	64.5	74.5	114.5	154.5	194.5			84.5	94.5	134.5	174.5	214.5			112	122	162	202	242		
20	78	88	138	188	238	288	338	108	118	168	218	268	318	368	135	145	195	245	295	345	395
25	77	87	137	187	237	287	337	107	117	167	217	267	317	367	144	154	204	254	304	354	404

Code Stroke I.D.	ZC						
16	124.5	134.5	174.5	214.5	254.5		
20	152	162	212	262	312	362	412
25	153	163	213	263	313	363	413

SCMI Non Pivot Type



Code Tube I.D.	A	AH	B1	B2	D	E	G	H	KK	K1	K2	LL	MB	PT	RH	VF	WF	XC
16	16	5	10	22	6	19.7	5	34.5	M6×1.0	10	10	54.5	M16×1.5	M5×0.8	6	18	22	76.5
20	20	5	13	30	8	29.7	8	38	M8×1.25	15	15	68	M22×1.5	PF 1/8	6	20	24	92
25	22	6	17	30	10	29.7	7.5	37	M10×1.25	15	15	67	M22×1.5	PF 1/8	6	22	28	95