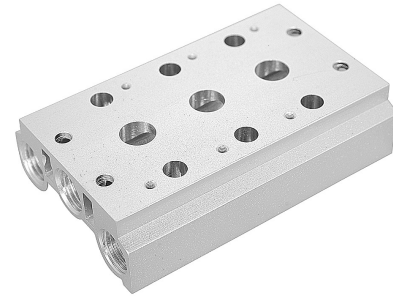


Manifold for SEAS & SEAA Series spool valve

FEATURES

- Easy to Maintain
- Common inlet & Exhaust
- Maximum upto 10 stations
- Blanking plate can be installed or removed as per requirement



OPTION SELECTOR

Manifold

SEAC - 220 - 2S

MODEL

BODY SIZE
220 - G 1/4
300 - G 3/8
460 - G 1/2

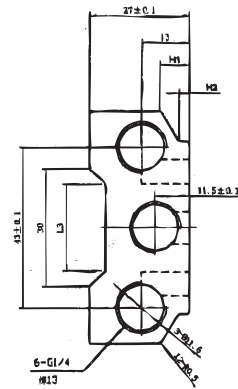
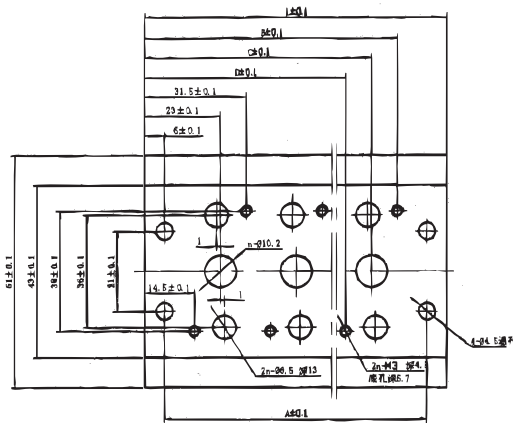
NO OF STATION
Max up to 10 station

Blank Fold

220 - B

BODY SIZE
220 - G 1/4
300 - G 3/8
460 - G 1/2

BLANK PLATE



MODEL	L	A	B1	B2	B3	B4	C1	C2	C3	D1	D2	D3
SEAC	23(n+1)	23n+17	23n+8.5	23	31.5	23	23n-8.5	14.5	6	38	36	21
SEAC	28n+26	28n+20	28n+9	28n-1	37	27	28n-11	17	6	50	45	26
SEAC	35n+28	35n+21	35n+10	35n-3.5	45	31.5	35n-17	18	7	72	63	32

MODEL	E1	E2	F	F1	F2	G	H	J1	J2	øP1	øP2	øP3	øP4
SEAC	61	43	27	13	11.5	G1/4		10	13	10.2	6.5	M3X0.5	4.5
SEAC	75	53	29	16.8	12.8	G3/8	17	9.5	16.8	13	8.5	M3X0.7	4.5
SEAC	98.5	71.2	35	19.5	13.6	G1/2	20	8	17	14.4	12.5	M4X0.7	7.5