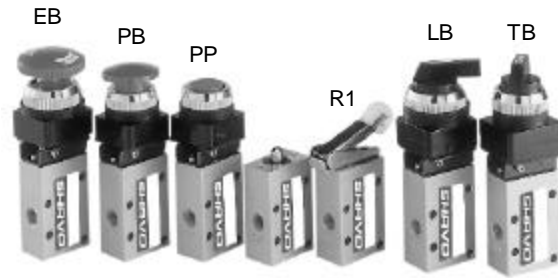


Manual and Mechanical Valve

FEATURES

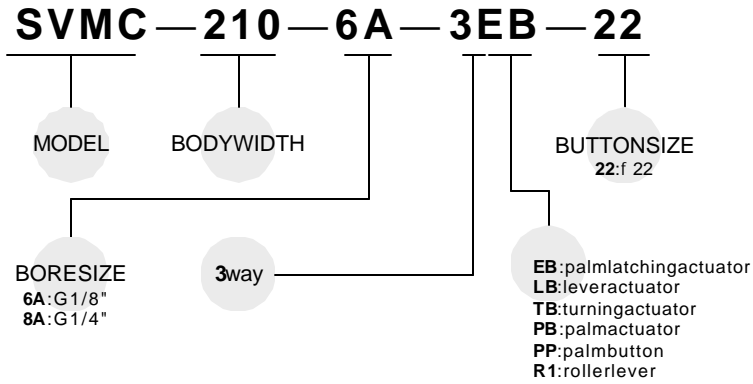
- Suitable for multi-directional flow and dual supply application
- Panel mounting type
- Maintenance free
- Actuators are exchangeable with the same model
- Actuator set or release by one action



SPECIFICATION

Model	SVMC-210	
Port size	PT1/8	PT1/4
No. of port	3	
No. of position	2	
Medium	Compressed Air, Filtered, Lubricated or Non Lubricated	
Operating pressure range	0~9.9kgf/cm ²	
Effective orifice	19mm ²	
Ambient temperature	- 5~+ 60? (No freezing)	

OPTION SELECTOR



SVMC-210-3**

