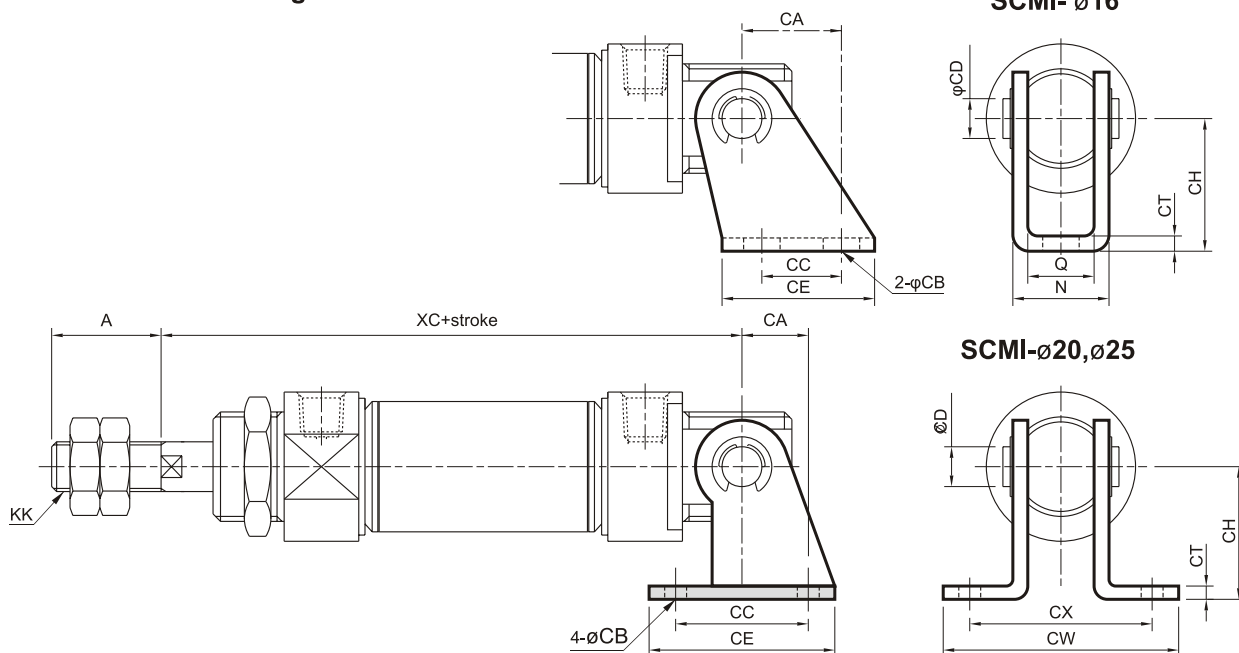
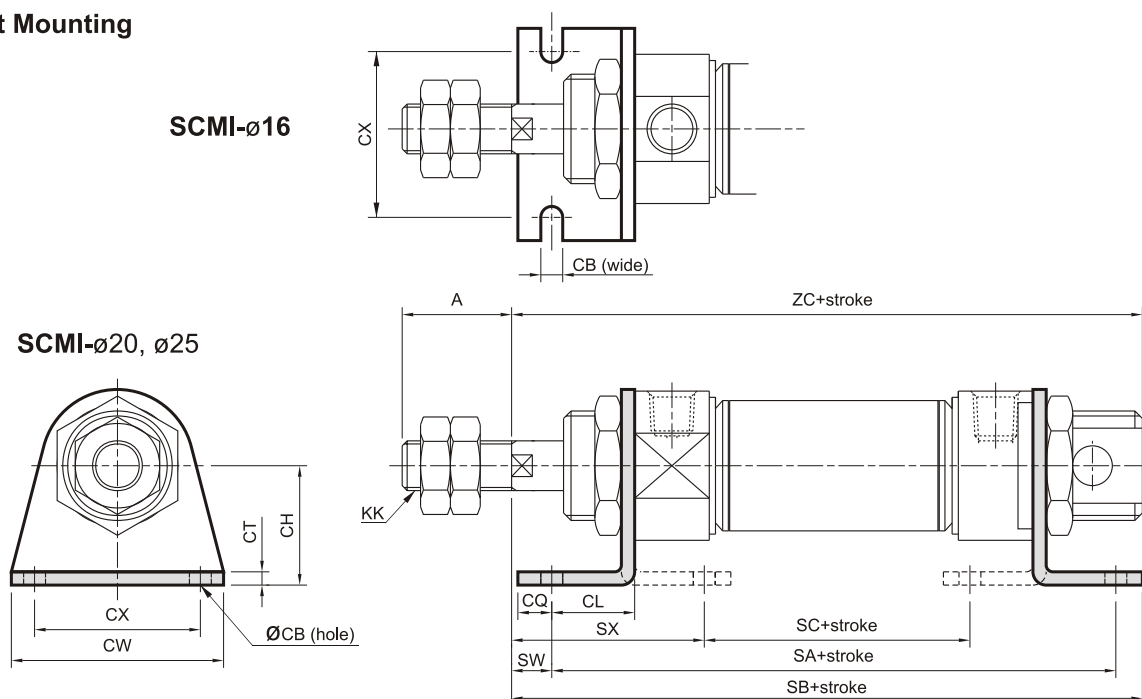


SDB Trunnion Mounting



Code Tube I.D.	A	CA	CB	CC	CD	CE	CH	CT	CW	CX	KK	N	Q	XC
16	16	15	5.5	12	6	23	20	2.3			M6×1.0	16.7	12.1	82
20	20	16	6.6	32	8	48	32	3.2	67	51	M8×1.25			95
25	22	16	6.6	32	8	48	32	3.2	67	51	M10×1.25			104

LB Foot Mounting

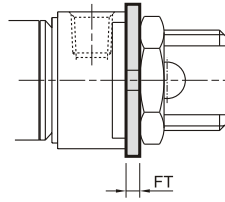


Code Tube I.D.	A	CB	CH	CL	CQ	CT	CW	CX	KK	SA	SB	SC	SW	SX	ZC
16	16	5.5	20	13	6	3.2	44	32	M6×1.0	80.5	89.5	34.9	9	31.8	94.5
20	20	6.6	25	15	8	3.2	54	40	M8×1.25	98	107	44.4	9	35.8	112
25	22	6.6	25	15	8	3.2	54	40	M10×1.25	97	110	43.4	13	39.8	117

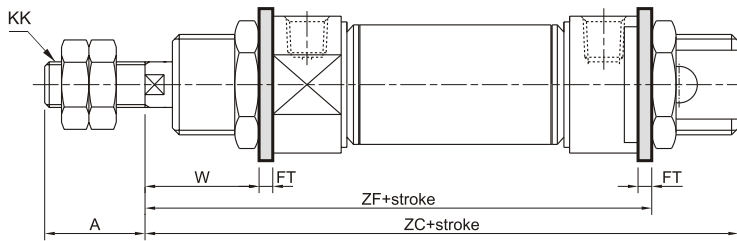
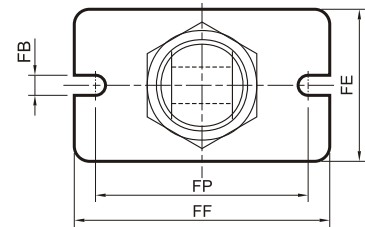
ISO-6432 Miniature Cylinders

FA/FB Front/Rear Flange Mounting

Code Tube I.D.	A	FB	FE	FF	FP	FT	KK	W	ZC	ZF
16	16	5.5	26	52	40	3.2	M6×1.0	18.8	94.5	79.7
20	20	6.6	38	64	50	4.5	M8×1.25	19.5	112	96.5
25	22	6.6	38	64	50	4.5	M10×1.25	23.5	117	99.5



SCMI- ϕ 16



SCMI- ϕ 20, ϕ 25

