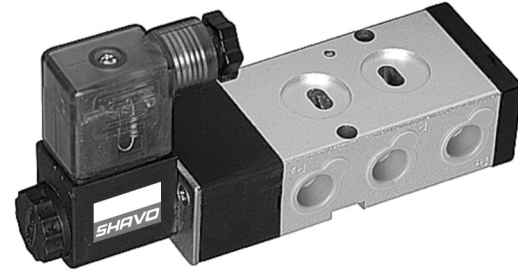


Namur Valve

FEATURES

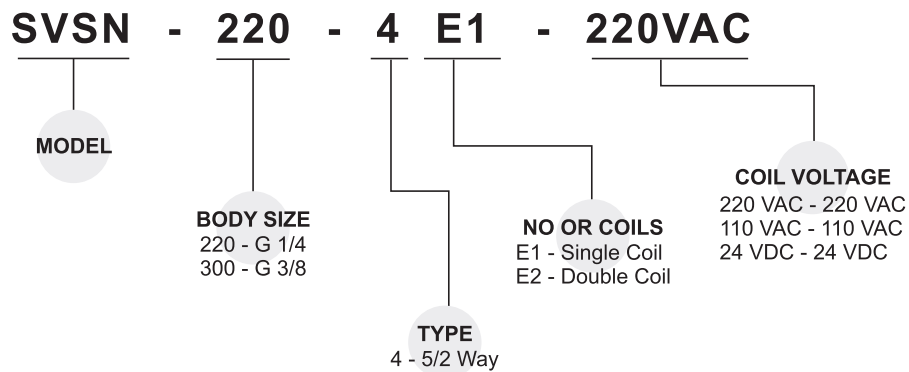
- High flow design
- Manual override option with lock facility
- 5/2, 3/2 Conversion kit available



SPECIFICATION

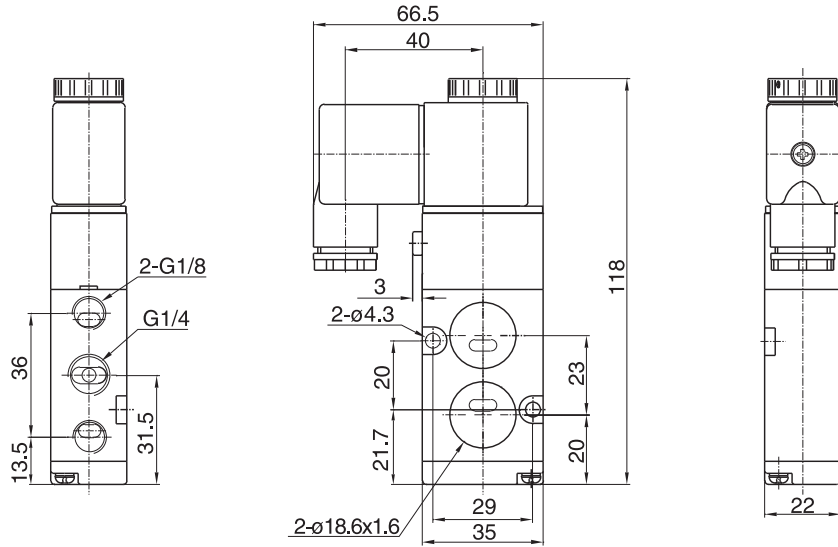
PARAMETERS	SPECIFICATIONS
Medium	Compressed Air, Filtered, Lubricated or Non Lubricated
Type	Spool, Internal. Pilot Type.
Operating Pressure	1.5 to 9 kg/cm ²
Operating Temperature	-5 to + 60°C
Coil Protection Grade	1 P 65
Flow Rate	G1/4 - 1000 l/min
Coil Insulation	- Class F.
Allowable Voltage	- 15% to + 10%
Min. Response Time	0.05 Seconds

OPTION SELECTOR

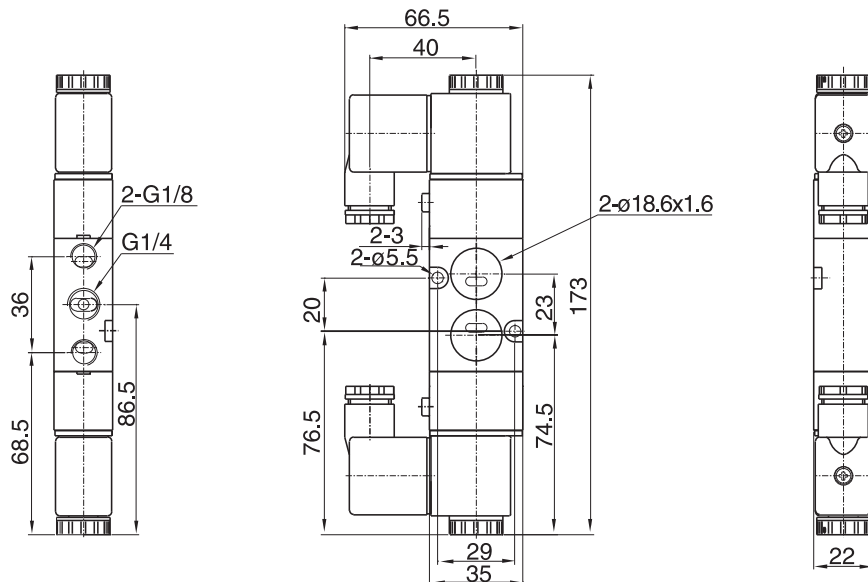


Dimensions

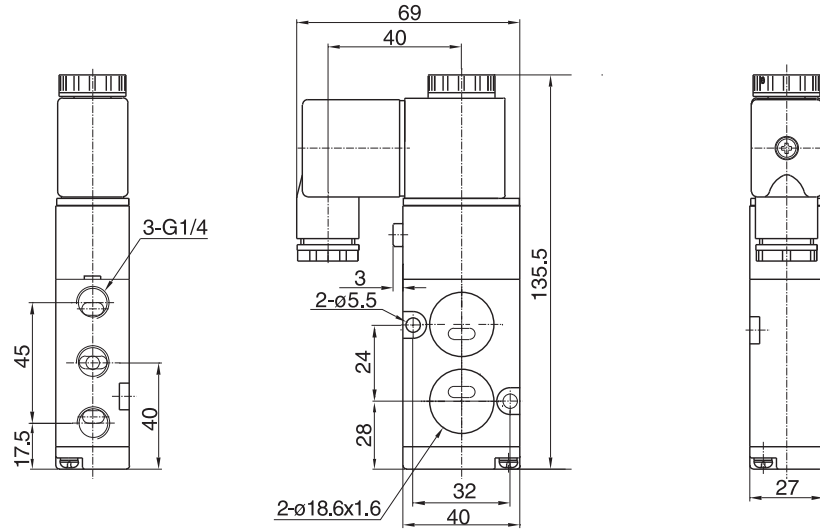
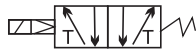
SVSN-220-4E1



SVSN-220-4E2



SVSN-300-4E1



SVSN-300-4E2

