

**Pilot Operated Valve**

**FEATURES**

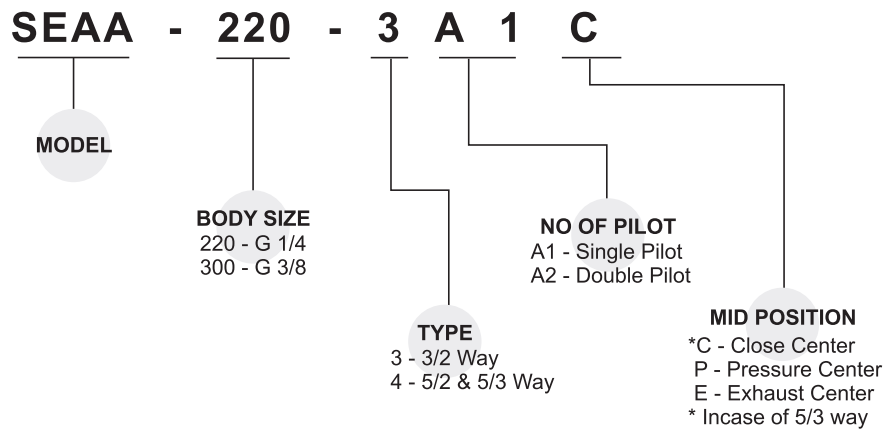
- High flow rate
- Small Volumetric size
- Maintenance free
- Manifold system for easy assembly



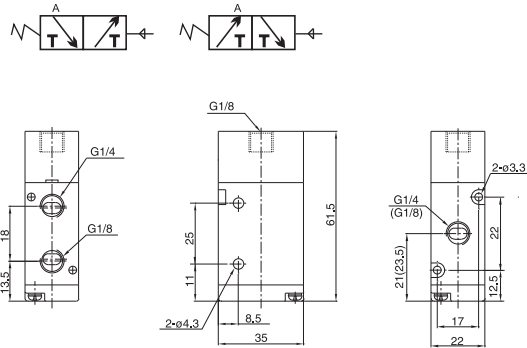
**SPECIFICATION**

PARAMETERS	SPECIFICATIONS
Medium	Compressed Air, Filtered, Lubricated or Non Lubricated
Type	Spool type, External. Pilot.
Operating Pressure	1.5 to 9.9 kg/cm <sup>2</sup>
Operating Temperature	-5 to 60°C
Flow Rate	G1/4 - 1000 l/min G3/8 - 2000 l/min

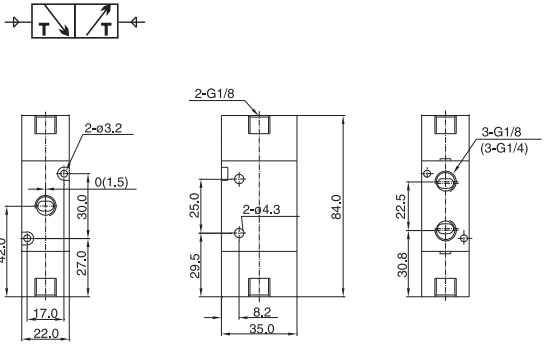
**OPTION SELECTOR**



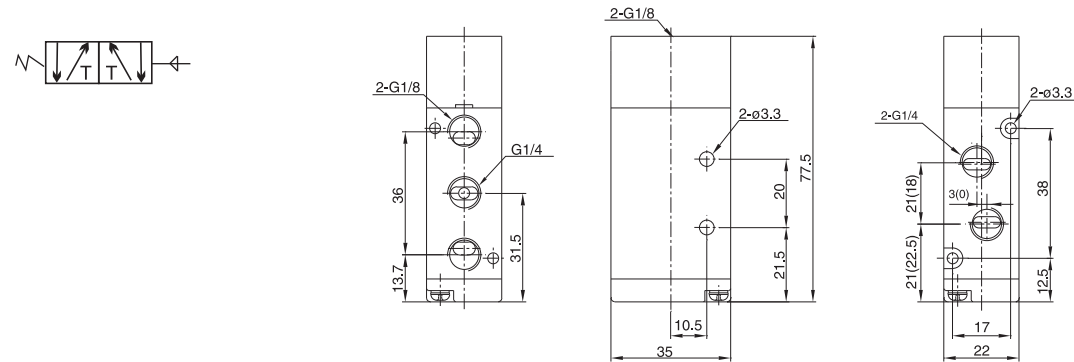
SEAA-220-3A1



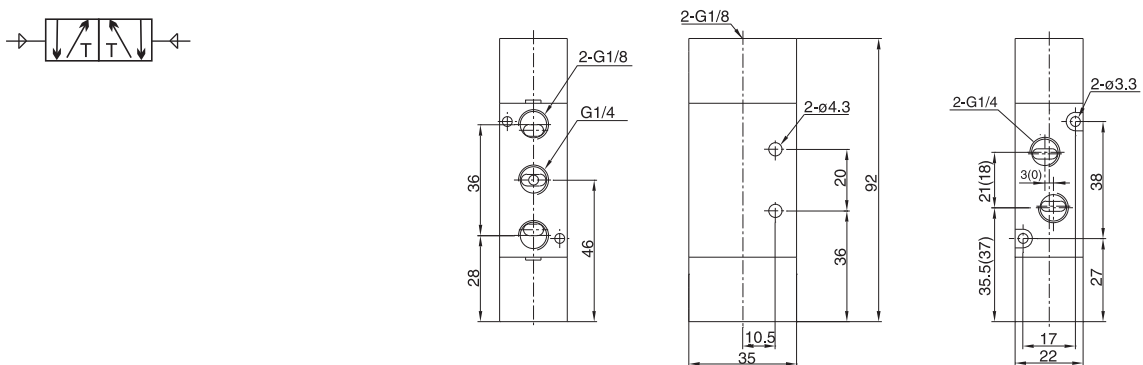
SEAA-220-3A2



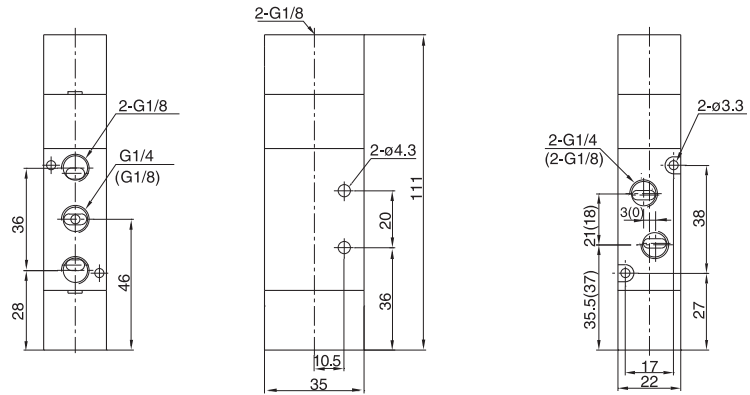
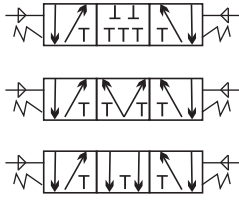
SEAA-220-4A1



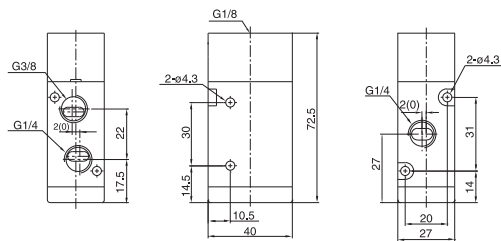
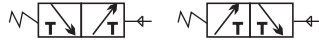
SEAA-220-4A2



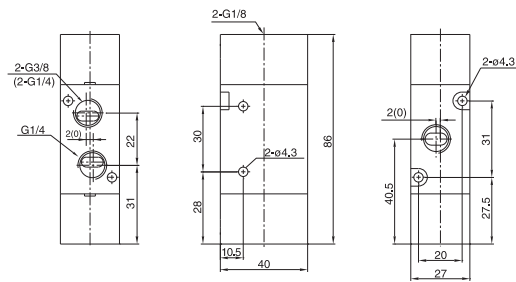
**SEAA-220-4A2C/P/E**



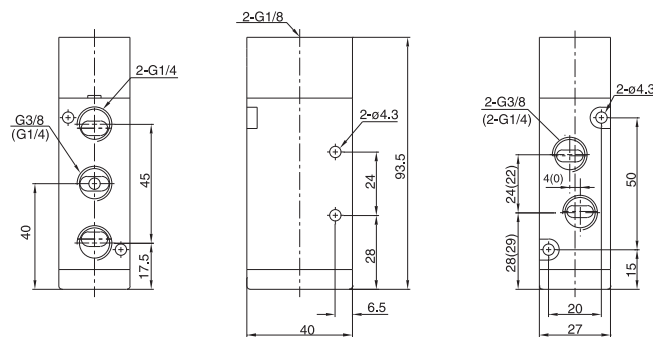
**SEAA-300-3A1**



**SEAA-300-3A2**

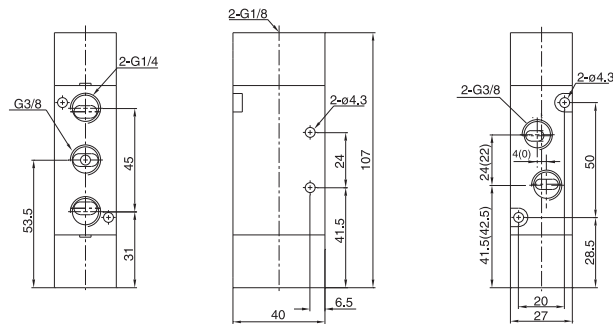


**SEAA-300-4A1**



**Pilot Operated Valve**

**SEAA-300-4A2**



**SEAA-300-4A2C/P/E**

