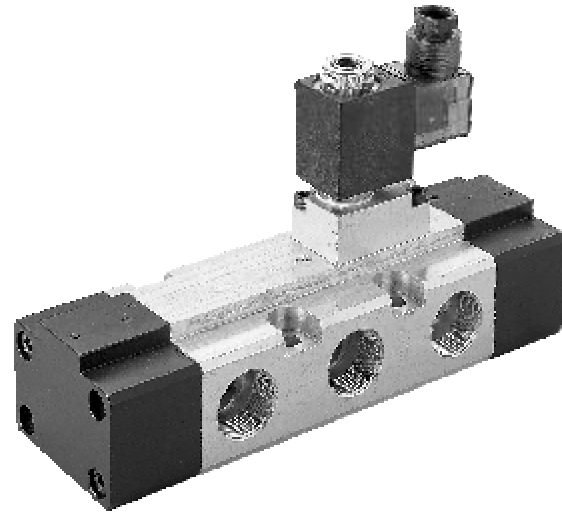


Solenoid Valve 5/2, 1"

**FEATURES**

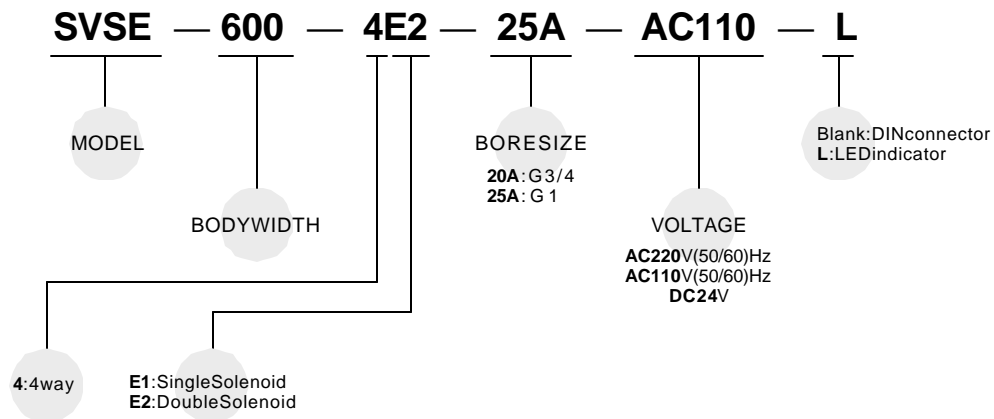
- ☛ Highflowdesign
- ☛ Manualoverrideoption
- ☛ Suitableforheavydutyapplication



**SPECIFICATION**

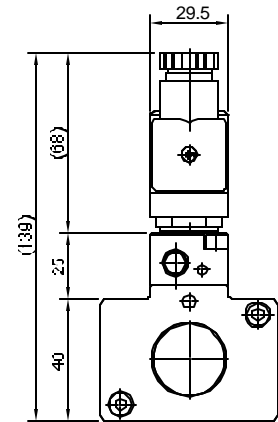
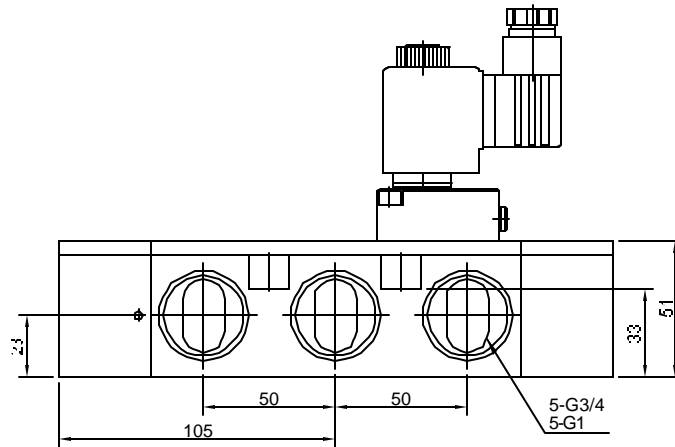
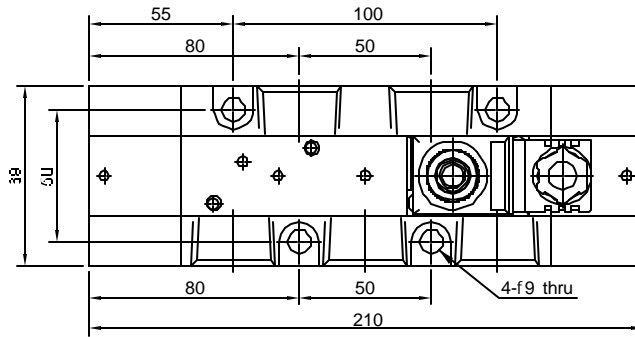
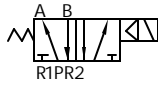
Model	SVSE-600-4E1	SVSE-600-4E2
Portsize	G 3/4 , G 1	
No. ofport	5	
No. ofposition	2	
Medium	CompressedAir, Filtered, Lubricated or NonLubricated	
Operatingpressurerange	2~10 kgf/cm <sup>2</sup>	
Proofpressure	10kgf/cm <sup>2</sup>	
Effectiveorifice	20A:96mm <sup>2</sup>	
	25A:100mm <sup>2</sup>	
Responsetime	80ms	
Ambienttemperature	- 5~+ 80? (Nofreezing)	
Voltage	AC110V, AC220V(50/60)Hz, DC24V	
Powerconsumption	AC=13/11VA, DC=10W	
Availablevoltagegerange	±10%	
Insulationclass	Hclass	

**OPTION SELECTOR**



**DIMENSIONS:**

**SVSE-600-4E1**



**SVSE-600-4E2**

