

TWIN-GUIDE CYLINDER

FEATURES:

- Bore sizes $\varnothing 12\text{mm} \sim \varnothing 100\text{mm}$ are available for various application
- Suitable for heavy duty application
- Non rotating application



SPECIFICATION:

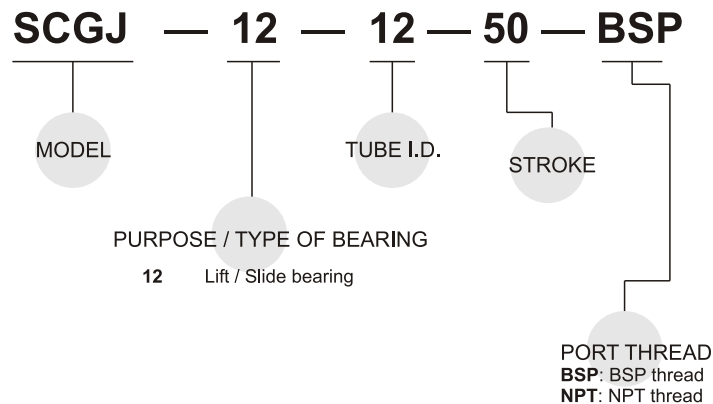
Model	SCGJ			
Model (Up view)				
Acting type	Double acting			
Tube I.D.(mm)	12,16	20,25	32,40	50,63,80,100
Port size Rc(PT)	M5×0.8		G 1/8	G 1/4
Medium	Compressed Air, Filtered, Lubricated or Non Lubricated			
Operating pressure range	1~10 kgf/cm ²			
Proof pressure	15 kgf/cm ²			
Ambient temperature	- 5~ + 60°C (No freezing)			
Cushion	without	With rubber cushion pad		
Sensor switch	RCB			

TABLE FOR STANDARD STROKE

Series variety	Bearing type	Tube I.D.	Stroke (mm)
SCGJ	Slide bearing	$\varnothing 12$	5~50mm
		$\varnothing 16$	
		$\varnothing 20$	
		$\varnothing 25$	
		$\varnothing 32$	
		$\varnothing 40$	10~50mm
		$\varnothing 50$	
		$\varnothing 63$	
		$\varnothing 80$	
		$\varnothing 100$	

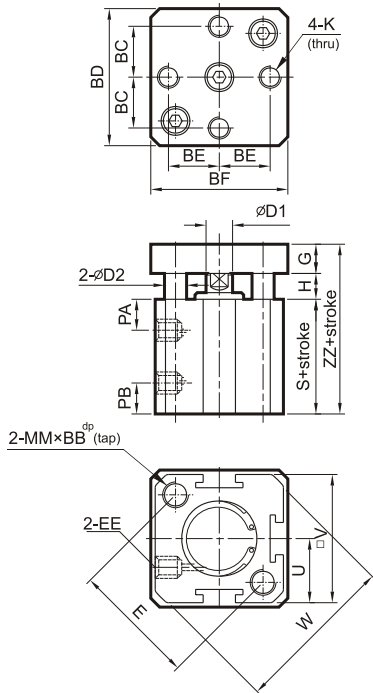
● Please consult us if stroke out of specification.

OPTION SELECTOR

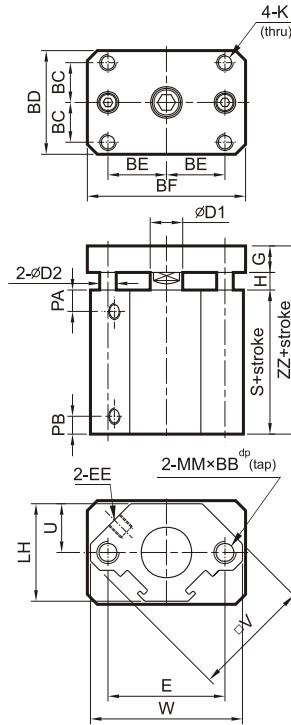


TWIN-GUIDE CYLINDER

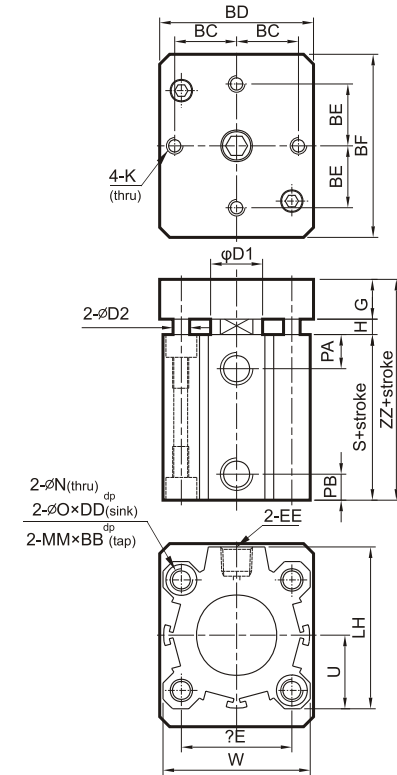
... ϕ 12, ϕ 16



... ϕ 20, ϕ 25



... ϕ 32~ ϕ 100



Code Tube I.D.	BB	BC	BD	BE	BF	D1	D2	DD	E	EE	G	H	K	LH	MM	N	O	PA	PB	S	U	V	W	ZZ
12	10	9	27	9	27	6	4	/	22	M5×0.8	6	4.5	M4×0.7	/	M5×0.8	/	/	6.5	6.5	22	12.5	25	32	32.5
16	10	10	31	10	31	6	4	/	28	M5×0.8	6	5	M4×0.7	/	M5×0.8	/	/	7.2	7.2	28.5	14.5	29	37.5	39.5
20	10	10	32	18	50	10	5	/	36	M5×0.8	8	4	M6×1.0	30	M6×1.0	/	/	8	5.5	29.5	15	37	47	41.5
25	10	12	37	20	54	12	5	/	40	M5×0.8	8	4.5	M6×1.0	35	M6×1.0	/	/	9.5	5.5	32.5	17.5	40	52	45
32	10	16	47	20	56	16	6	7	34	G 1/8	10	6.5	M6×1.0	49.5	M6×1.0	5.5	9.5	10.5	8	33	22.5	/	45	49.5
40	10	19	54	25	64	16	6	7	40	G 1/8	10	6.5	M8×1.25	57	M6×1.0	5.5	9.5	11	8	39.5	26	/	52	56
50	14	24	66	30	80	20	8	8	50	G 1/4	12	7.5	M8×1.25	71	M8×1.25	6.8	11	10.5	10.5	40.5	32	/	64	60
63	18	31	80	38	94	20	10	10.5	60	G 1/4	12	7.5	M8×1.25	84	M10×1.5	9.2	14	14.5	10.5	46	38.5	/	77	65.5
80	22	38	100	40	108	25	12	11	77	G 1/4	15	15	M10×1.5	102.4	M12×1.75	11	17.5	20	12	52	49	/	98	82
100	22	46	120	48	128	30	12	11	94	G 1/4	18	19	M10×1.5	121.5	M12×1.75	11	17.5	22	13	57.5	58.5	/	117	94.5