

SF37 (G 1, G 1½)

Features

- Shavo's Filter Model SF37 is designed as a high-performance product for use in corrosive atmospheres.
- Applications include marine environments, oil and gas production, chemicals and food processing, medical analysis etc.
- SIL 3 capable as per IEC 61508.
- CE, ATEX, EAC[CU TR10(equivalent to GOST R&K)] approved
- External Metallic parts meet NACE standard MR-01 75*

(*National Association of Corrosion Engineers MR-0175 defines requirements for sulphide stress cracking resistant materials used in oilwells and other corrosive environments.)

PARAMETERS	SPECIFICATIONS
Fluid	Compressed Air
Pipe Sizes	1", 1 ½"
Pipe Thread	NPT - Standard BSPT, BSP - Optional
Max. Inlet Pressure	30 bar (435 psi)
Max. Operating Temperature (Ambient)	+80°C
Filter Element size	25 Micron - Std. (5,40 Micron - Optional)
Filter Element material	SS 316 - Std.
Material of Construction	Stainless Steel as per AISI 316L
Body, Bowl	SS 316L with NACE Compliance (MR 0175)
Internal parts	SS 316L / SS 304
External parts	SS 316L with NACE Compliance (MR 0175)
Elastomers	Low Temp. Nitrile (LNBR) -60°C to +80°C EPDM -35°C to +120°C Fluorocarbon (Viton-FKM) -20°C to +180°C
Standard Nominal Flow Rate at 6 bar (87 psi) supply pressure and 1 bar (14.5 psi) pressure drop	1" - 500 scfm (236 dm3/sec) 1 ½" - 525 scfm (248 dm3/sec)
CV Value	1" - (9.40) 1 ½" - (9.90)
Bowl Capacity	320 ml
Drain	Manual - Std
Weight	4.8 Kgs.



Size	Flow	Element	Drain	Model
1" NPT	500 dm3/sec. (236 scfm)	25 micron	Manual	SF37-801-M8SA-P
1 ½" NPT	525 dm3/sec. (248 scfm)	25 micron	Manual	SF37-B01-M8SA-P

+ Value indicated are with 40 micron elements with finer element these values will be lower.

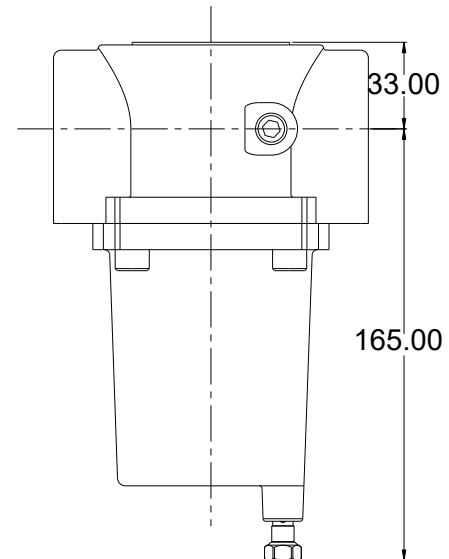
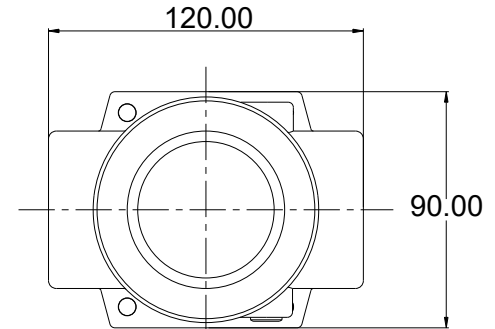
SF37 (G 1, G 1½)

Option Selector

Sample Model Number → **S F 3 7 - 8 0 0 - M 5 S A - X - X X X - X X X**

Position → **0 1 2 3 - 4 5 6 - 7 8 9 10 - 11 - 12 13 14 - 15 16 17**

- 0** **S** = Shavo
- 1** Product **F** = Filter
- 2 3** Series **37** = SS316L (cast) UNIT
- 4** Port Size **8** = 1"
 B = 1½"
- 5 6** Options **04** = Low Temp. Nitrile elastomers
 [01] = EPDM elastomers
 [02] = VITON elastomers
- 7** Drain **M** = Manual
- 8** Filter Element **7** = 05 micron SS 316
 8 = 25 micron SS 316
 9 = 40 micron SS316
- 9** Bowl **S** = STAINLESS STEEL(SS316L)
- 10** Port Thread **A** = NPT
 B = BSPT
 G = BSP
- 11** Mounting **X** = No mounting bracket
 B = L type mounting bracket



12 13 14 Test / Approval

A	0	0	ATEX
A	0	1	UKEX
A	0	2	UKCA
A	0	3	ATEX, UKEX, EAC Ex, UKCA
A	0	4	ATEX, UKEX, EAC Ex
A	0	5	ATEX, UKEX, UKCA
A	0	6	ATEX, UKEX, EAC Ex
B	0	0	ATEX, CE
B	0	1	ATEX, CE, UKEX, EAC Ex, UKCA
B	0	2	ATEX, CE, UKEX, EAC Ex
B	0	3	ATEX, CE, UKEX, UKCA
B	0	4	ATEX, CE, UKCA, EAC Ex
B	0	5	ATEX, CE, EAC Ex
C	0	0	CE
C	0	1	CE, UKEX, EAC Ex, UKCA
C	0	2	CE, UKEX, EAC Ex
C	0	3	CE, UKEX, UKCA
C	0	4	CE, EAC Ex, UKCA
C	0	5	CE, EAC Ex

SF37 (G 1, G 1½)

D	0	0	ATEX, EAC
D	0	1	ATEX, EAC, UKEX, EAC Ex, UKCA
D	0	2	ATEX, EAC, UKEX, EAC Ex
D	0	3	ATEX, EAC, UKEX, UKCA
D	0	4	ATEX, EAC, EAC Ex, UKCA
E	0	0	EAC
E	0	1	EAC, UKEX, EAC Ex, UKCA
E	0	2	EAC, UKEX, EAC Ex
E	0	3	EAC, UKEX, UKCA
E	0	4	EAC, EAC Ex, UKCA
F	0	0	ATEX, SIL3
F	0	1	ATEX, SIL3, UKEX, EAC Ex, UKCA
F	0	2	ATEX, SIL3, UKEX, EAC Ex
F	0	3	ATEX, SIL3, UKEX, UKCA
F	0	4	ATEX, SIL3, EAC Ex, UKCA
F	0	5	ATEX, SIL3, EAC Ex
G	0	0	CE, EAC
G	0	1	CE, EAC, UKEX, EAC Ex, UKCA
G	0	2	CE, EAC, UKEX, EAC Ex
G	0	3	CE, EAC, UKEX, UKCA
G	0	4	CE, EAC, EAC Ex, UKCA
H	0	0	CE, SIL3
H	0	1	CE, SIL3, UKEX, EAC Ex, UKCA
H	0	2	CE, SIL3, UKEX, EAC Ex
H	0	3	CE, SIL3, UKEX, UKCA
H	0	4	CE, SIL3, EAC Ex, UKCA
H	0	5	CE, SIL3, EAC Ex
J	0	0	EAC, SIL3
J	0	1	EAC, SIL3, UKEX, EAC Ex, UKCA
J	0	2	EAC, SIL3, UKEX, EAC Ex
J	0	3	EAC, SIL3, UKEX, UKCA
J	0	4	EAC, SIL3, EAC Ex, UKCA
K	0	0	CE, EAC, SIL3
K	0	1	CE, EAC, SIL3, UKEX, EAC Ex, UKCA
K	0	2	CE, EAC, SIL3, UKEX, UKCA
K	0	3	CE, EAC, SIL3, UKEX, EAC Ex
K	0	4	CE, EAC, SIL3, EAC Ex, UKCA
L	0	0	ATEX, EAC, SIL3
L	0	1	ATEX, EAC, SIL3, UKEX, EAC Ex, UKCA
L	0	2	ATEX, EAC, SIL3, UKEX, EAC Ex
L	0	3	ATEX, EAC, SIL3, UKEX, UKCA
L	0	4	ATEX, EAC, SIL3, EAC Ex, UKCA
M	0	0	ATEX, CE, SIL3
M	0	1	ATEX, CE, SIL3, UKEX, EAC Ex, UKCA
M	0	2	ATEX, CE, SIL3, UKEX, EAC Ex
M	0	3	ATEX, CE, SIL3, UKEX, UKCA
M	0	4	ATEX, CE, SIL3, EAC Ex, UKCA
N	0	0	ATEX, CE, EAC
N	0	1	ATEX, CE, EAC, UKEX, EAC Ex, UKCA
N	0	2	ATEX, CE, EAC, UKEX, EAC Ex
N	0	3	ATEX, CE, EAC, UKEX, UKCA
N	0	4	ATEX, CE, EAC, EAC Ex, UKCA

SF37 (G 1, G 1½)

[O]	[0]	[0]	Other customer special requirement if Any
P	0	0	ATEX, CE, EAC, SIL3
P	0	1	ATEX, CE, EAC, SIL3, UKEX, EAC Ex, UKCA
P	0	2	ATEX, CE, EAC, SIL3, UKEX, EAC Ex
P	0	3	ATEX, CE, EAC, SIL3, UKEX, UKCA
P	0	4	ATEX, CE, EAC, SIL3, EAC Ex, UKCA
Q	0	0	ATEX, EAC Ex
R	0	0	EAC Ex
R	0	1	EAC Ex, UKEX, UKCA
R	0	2	EAC Ex, UKCA
S	0	0	SIL3
S	0	1	SIL3, UKEX, EAC Ex, UKCA
S	0	2	SIL3, UKEX, EAC Ex
S	0	3	SIL3, UKEX, UKCA
S	0	4	SIL3, EAC Ex, UKCA
V	0	0	ATEX, CE, SIL3, EAC Ex
V	0	1	ATEX, CE, SIL3, EAC Ex, UKEX, UKCA
V	0	2	ATEX, CE, SIL3, EAC Ex, UKEX
V	0	3	ATEX, CE, SIL3, EAC Ex, UKCA
X	X	X	STANDARD UNITS WITHOUT ANY CERTIFICATE / APPROVAL
Y	0	0	ATEX, SIL3, EACEx
y	0	1	ATEX, SIL3, EACEx, UKEX, UKCA
Y	0	2	ATEX, SIL3, EAC Ex, UKEX
Y	0	3	ATEX, SIL3, EACEx, UKCA
Z	0	1	CE, SIL3, EAC Ex, UKEX, UKCA
Z	0	2	CE, SIL3, EAC Ex, UKEX
Z	0	3	CE, SIL3, EAC Ex, UKCA

X	X	X	Standard Unit Without any Compliance
A	0	1	RoHS 3 Compliance
A	0	2	REACH Compliance
A	0	3	Copper Free (Only Applicable Aluminium Version)
A	0	4	RoHS3, REACH Compliance
A	0	5	RoHS3, REACH, Copper Free (Only Applicable for Aluminium Version)
A	0	6	RoHS3, Copper Free (Only Applicable for Aluminium Version)
A	0	7	REACH, Copper Free (Only Applicable for Aluminium Version)

15 16 17 Compliance

Note : Option shown in [] bracket are special, please consult manufacturing.